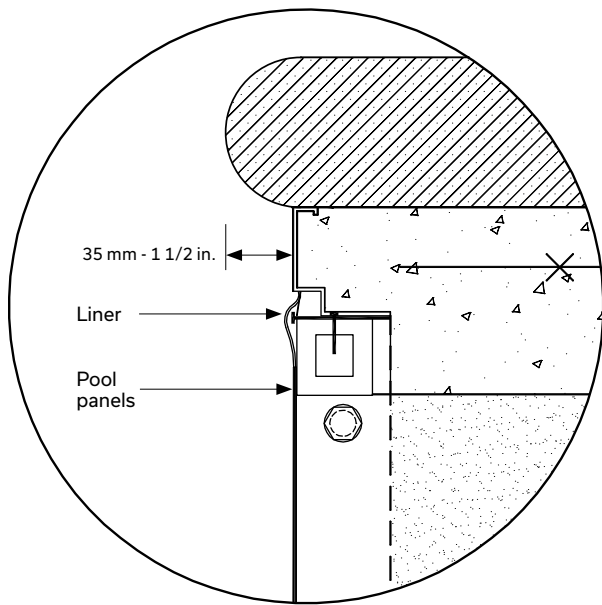
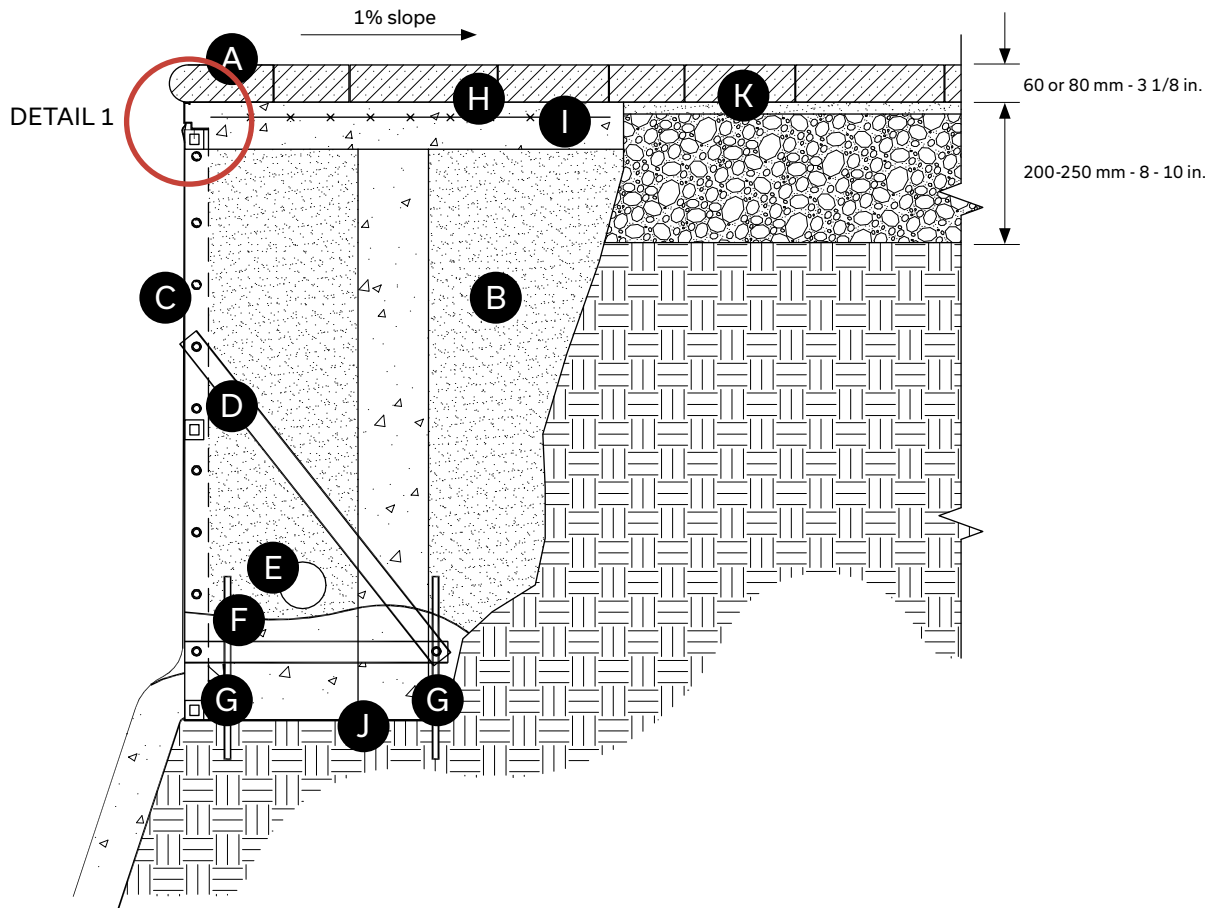


Laguna 60 and Marina Pool Coping

CROSS-SECTION - POOL WITH PAVERS

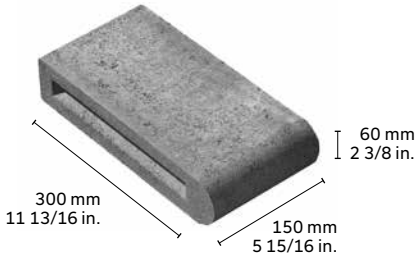


DETAIL 1

- A** Pool coping and pavers glued with Techniseal concrete adhesive or mortar
- B** Sand
- C** Pool panels
- D** Reinforcement bars
- E** Perforated drain: 100 mm Ø - 4 in.
- F** Concrete footing 200 x 200 mm - 8 x 8 in.
- G** Metal rod 10 mm - 3/8 in.
- H** Concrete deck 1 m - ± 39 in. wide x 100 mm - 4 in. thick
- I** Wire mesh 150 x 150 mm - 6 - 6 in. x 9 ml (G)
- J** Concrete Sonotube 150 mm - 6 in. Ø
- K** Bedding course 25 mm - 1 in.

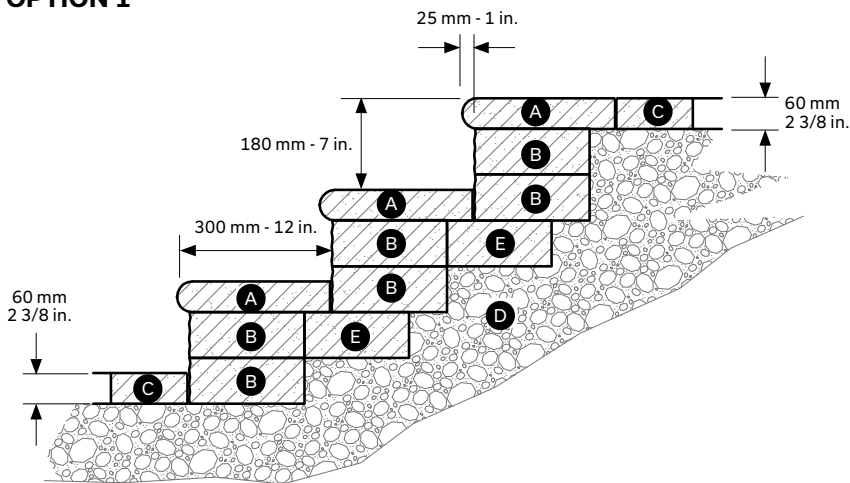
Marina 60 Coping - Step Option

UNIT



LAYING IDEAS FOR STAIRWAY OPTION

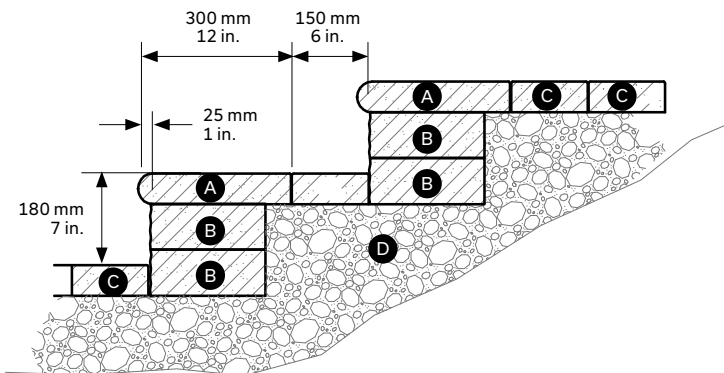
OPTION 1



- A** Marina coping 60 x 300 x 150 mm - 2 3/8 x 11 13/16 x 5 15/16 in.
- B** Celtik 90 wall (4 sizes) of 90 x 225 mm x variable - 3 9/16 x 8 7/8 in. x variable
- C** Paver 60 mm
- D** Compacted granular foundation 0 to 20 mm - 0 to 3/4 in.
- E** Starter unit 90 x 268 x 469 mm - 3 9/16 x 10 1/2 x 18 1/2 in. or Celtik 90 wall unit

NOTE: All elements must be glued together with Techniseal concrete adhesive.

OPTION 2



- A** Marina coping 60 x 300 x 150 mm - 2 3/8 x 11 13/16 x 5 15/16 in.
- B** Celtik 90 wall (4 sizes) of 90 x 225 mm x variable - 3 9/16 x 8 7/8 in. x variable
- C** Paver 60 mm
- D** Compacted granular foundation 0 to 20 mm - 0 to 3/4 in.

NOTE: All elements must be glued together with Techniseal concrete adhesive.