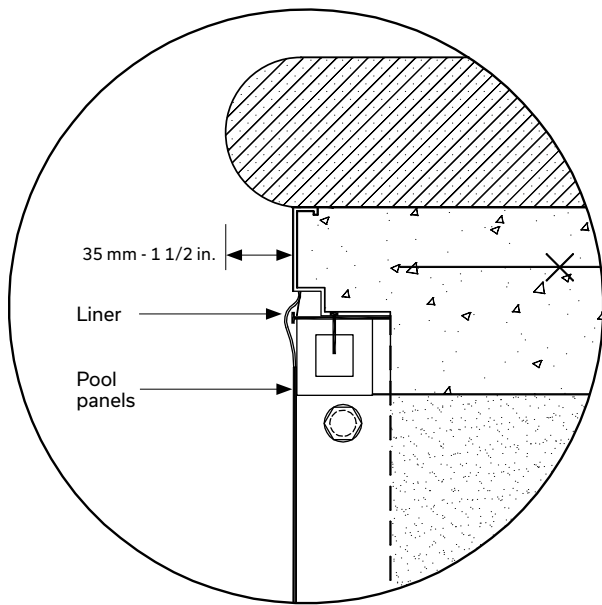
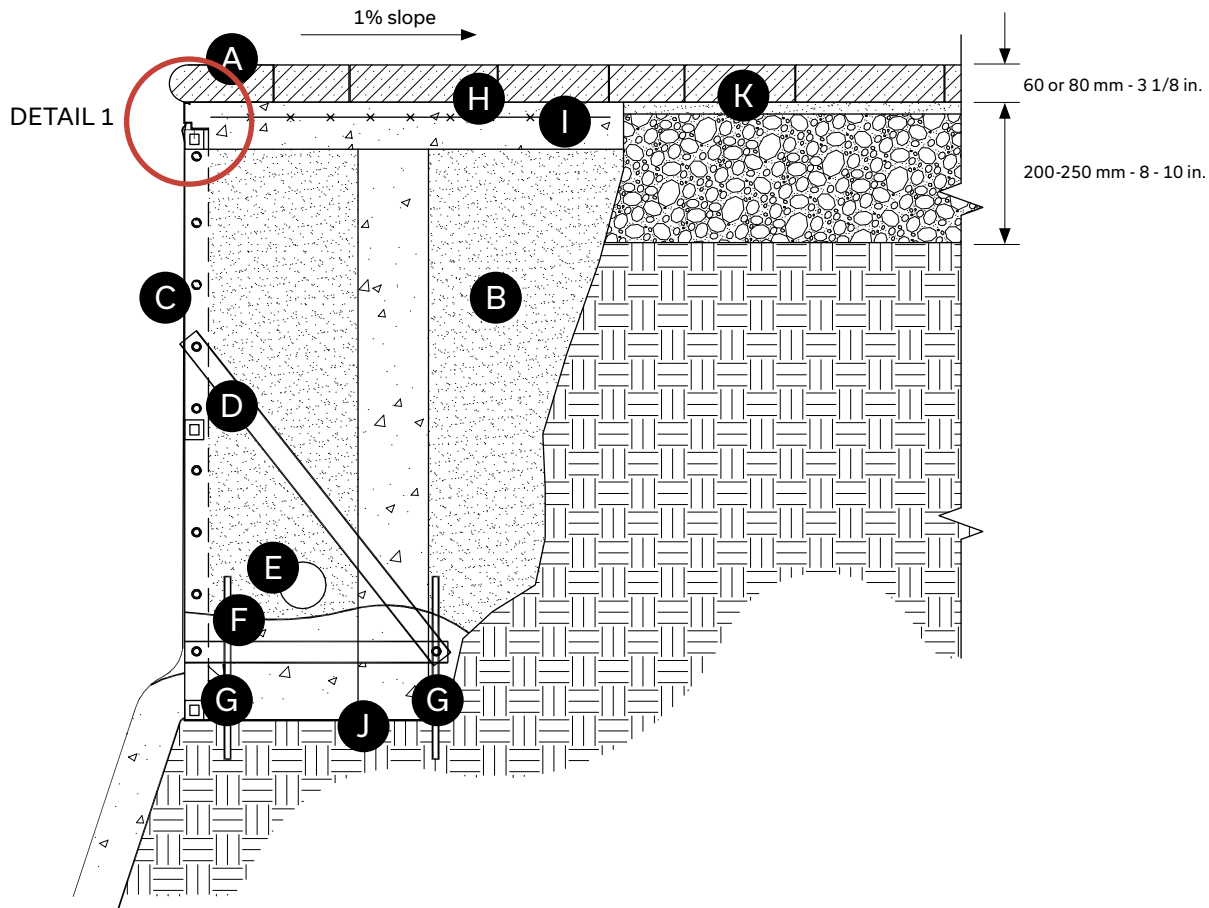


Laguna, Leno and Marina Pool Capping

CROSS-SECTION - POOL WITH PAVERS



DETAIL 1

- A** Pool capping and pavers glued with Techniseal concrete adhesive or mortar
- B** Sand
- C** Pool panels
- D** Reinforcement bars
- E** Perforated drain: 100 mm Ø - 4 in.
- F** Concrete footing 200 x 200 mm - 8 x 8 in.
- G** Metal rod 10 mm - 3/8 in.
- H** Concrete deck 1 m - ± 39 in. wide x 100 mm - 4 in. thick
- I** Wire mesh 150 x 150 mm - 6 - 6 in. x 9 ml (G)
- J** Concrete Sonotube 150 mm - 6 in. Ø
- K** Bedding course 25 mm - 1 in.