

Orion Firepit

DESCRIPTION



Create a cozy atmosphere with the Orion Firepit. With its sleek and elegant look, it will certainly become the gathering spot of your landscape design. This easy-to-assemble product includes the necessary number of concrete units, a black galvanized metal insert, and hardware. The spark arrestor which can be added to the order, is simply inserted in the centre of the firepit.

ASSEMBLY

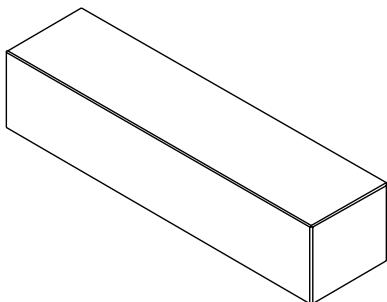
CONTENT

ORION FIREPIT KIT INCLUDES:

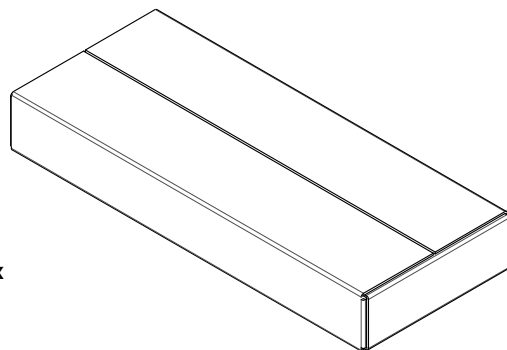
- > 12 Orion concrete units in Range Scandina Grey (12051110) or Range Amber Beige (12051111)
- > 1 black galvanized metal insert including necessary hardware (in a box)

The spark arrestor (205500004) is sold separately.

12 x Orion
concrete units



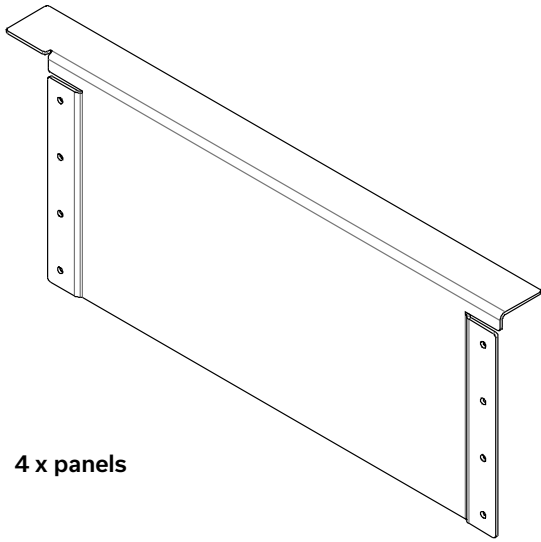
1 x metal
insert box



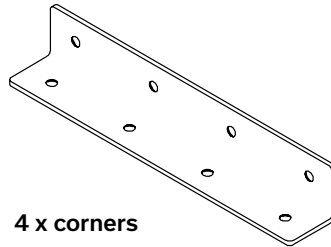
ORION FIREPIT

ASSEMBLY

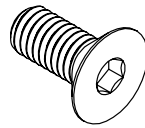
IN THE BOX:



4 x panels



4 x corners



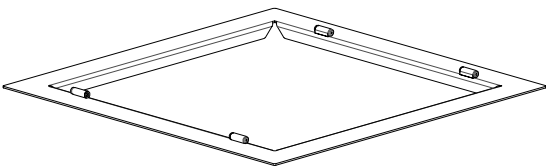
32 x bolts



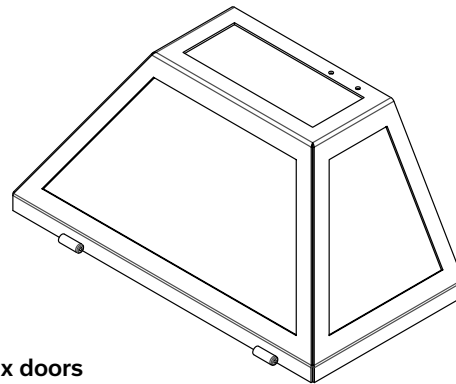
32 x nuts

SPARK ARRESTOR

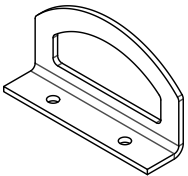
IN THE BOX:



1 x frame



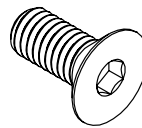
2 x doors



2 x handles



2 x metal rods



4 x bolts

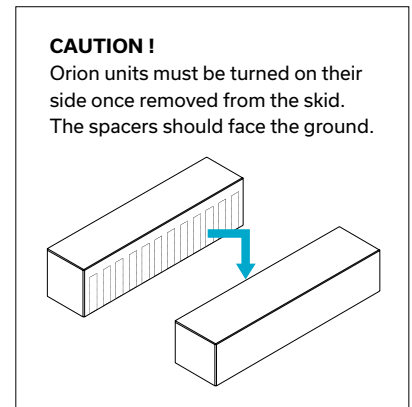


4 x nuts

ORION FIREPIT INSTALLATION

ORION FIREPIT UNITS

- > Prepare the installation area by referring to the slab installation portion of the Permacon installation guide
- > Ensure the base is level prior to installation
- > Install the Orion concrete units in desired location
 - Install the units on the ground in a square shape. Make sure every unit is used once as a corner
 - Once the first row is complete, apply Techniseal concrete adhesive on top of the units
 - For the second row, offset the corners to avoid vertical joint lines
 - Apply Techniseal concrete adhesive on top of the second row of units
 - For the third row, offset the corners once again so they have the same vertical joints as the first row
- > If the firepit is in an area with slabs or pavers, install them around the firepit and cut where necessary

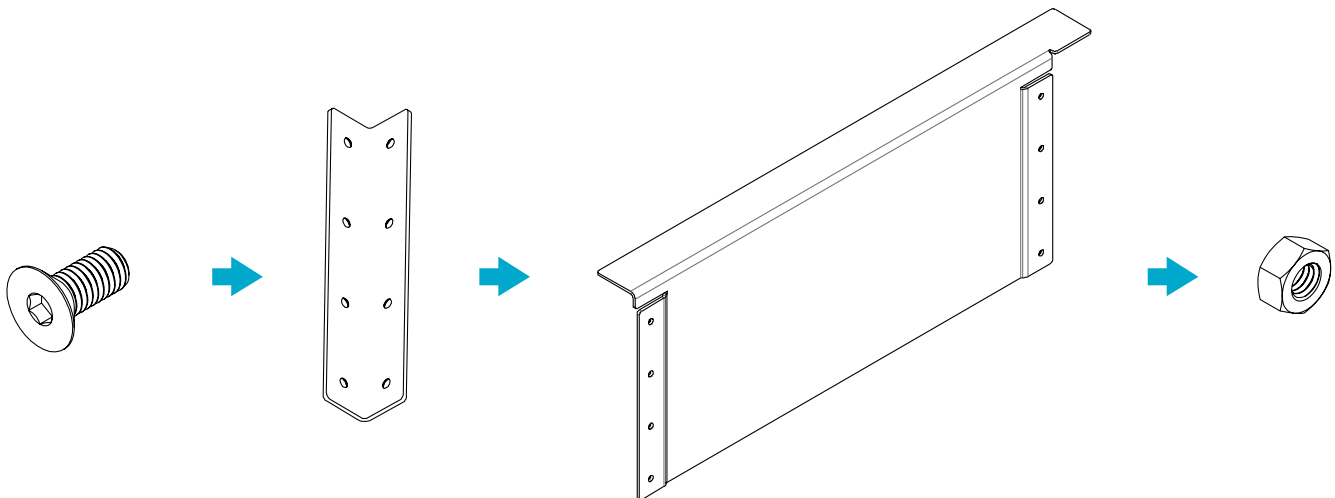


METAL INSERT

All the necessary tools for the following steps, such as a hex key and a flat key, are provided in the nuts-and-bolts bag.

1

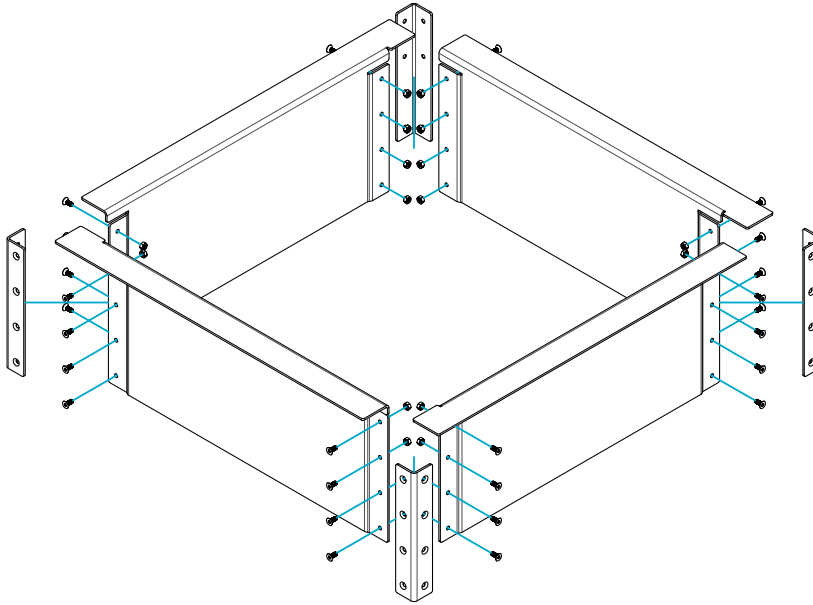
Assemble a **corner** to a **panel** using the supplied nuts-and-bolts. The corner goes on the outside of the panel. The bolts should point to the inside of the firepit and the nuts go inside the firepit.



ORION FIREPIT INSTALLATION

2

Repeat step #1 to attach all four panels of the metal insert.

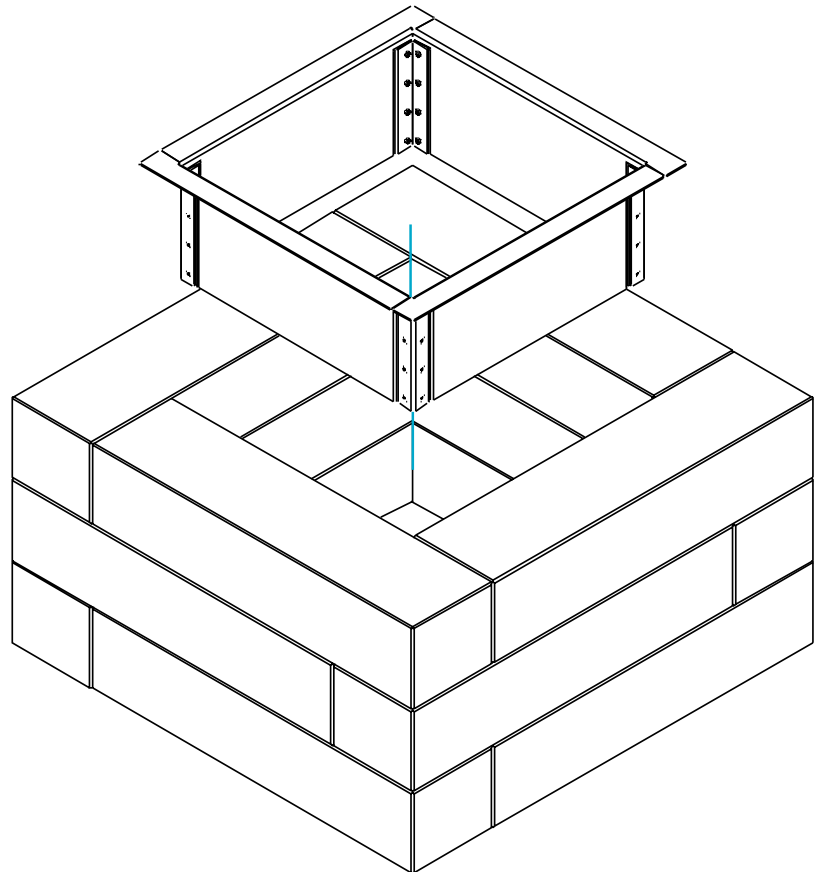


3

Slide the metal insert in between the assembled Orion Firepit. It is not necessary to use concrete adhesive to glue the insert to the Orion Firepit.

4

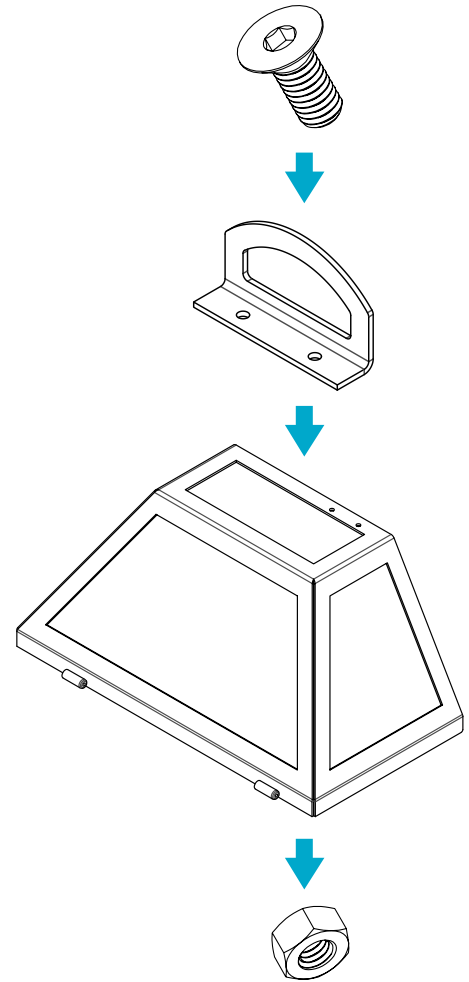
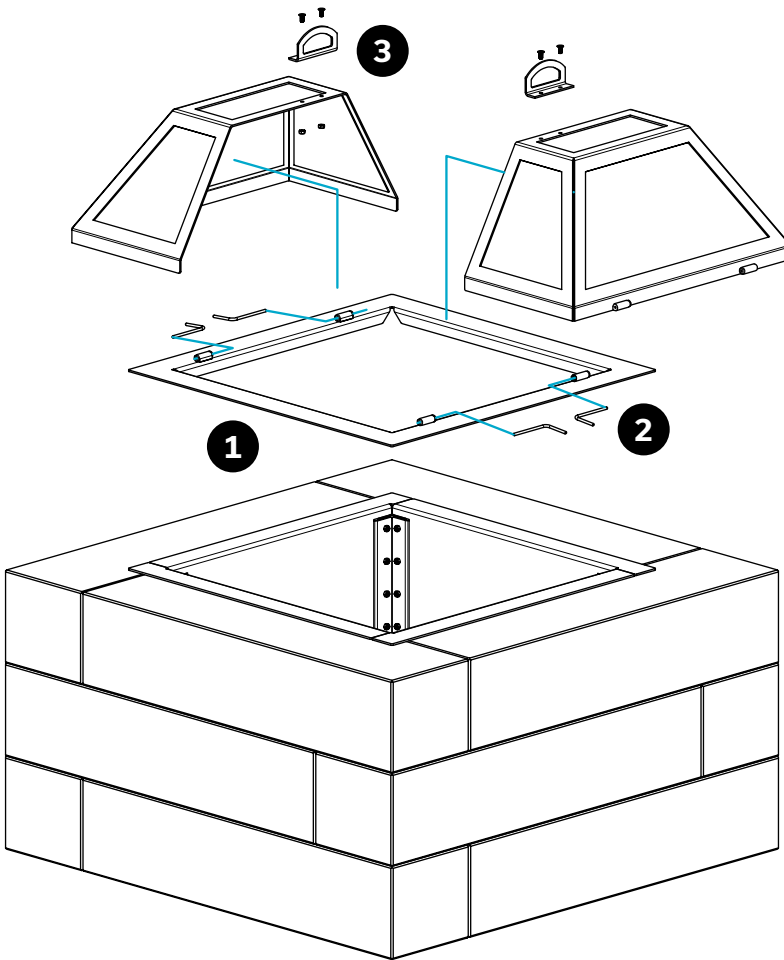
Put 3/4 in. net stone at the bottom of the firepit till it meets the edge of the metal insert (depth of the stone: 290 mm or 11 3/8 in.). This step is essential to protect the units against the intense heat of the fire.



SPARK ARRESTOR INSTALLATION

SPARK ARRESTOR

All the necessary tools for the following steps, such as a hex key and a flat key, are provided in the nuts-and-bolts bag.



1

Position the **frame** over the Orion Firepit metal insert.

2

Attach the **doors** to the **frame** using the **hinges** and **metal rods**. Align both cylinders of the hinges together and insert the metal rod to complete this step.

3

Screw the **handles** to the **doors** with the supplied nuts-and-bolts. The bolts should point to the inside of the firepit. The nuts go inside the firepit.

ORION FIREPIT AND SPARK ARRESTOR

The Orion Firepit is now assembled. Make sure to follow any municipal by-laws regarding outdoor fires.

