

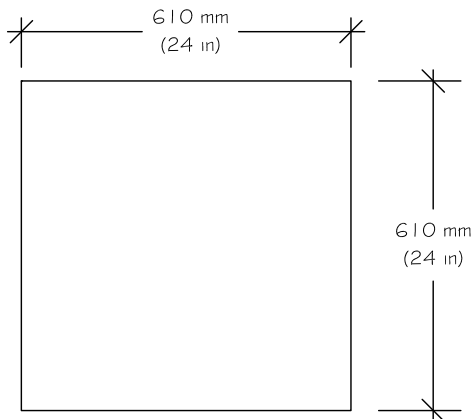
24 x 24 Paver Style Slab

Packaging and typical layout

PACKAGING

Units per row	20	
Row per cube	1	
Quantity per cube	20	
Area per unit	0.37 m ²	4.00 ft ²
Area per layer	7.43 m ²	80.00 ft ²
Area per cube	7.43 m ²	80.00 ft ²
Weight per unit	44 kg	96 lb
Weight per cube	900 kg	1980 lb

DIMENSIONS



Thickness: 50 mm (2 in)
The dimensions are real

TYPICAL LAYOUT

