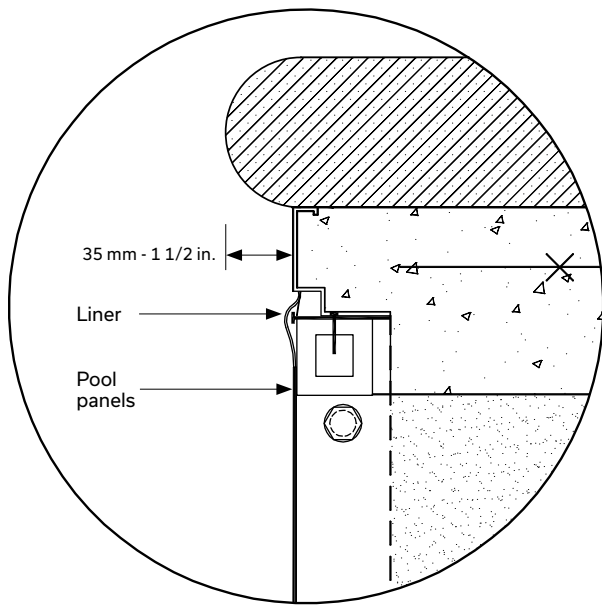
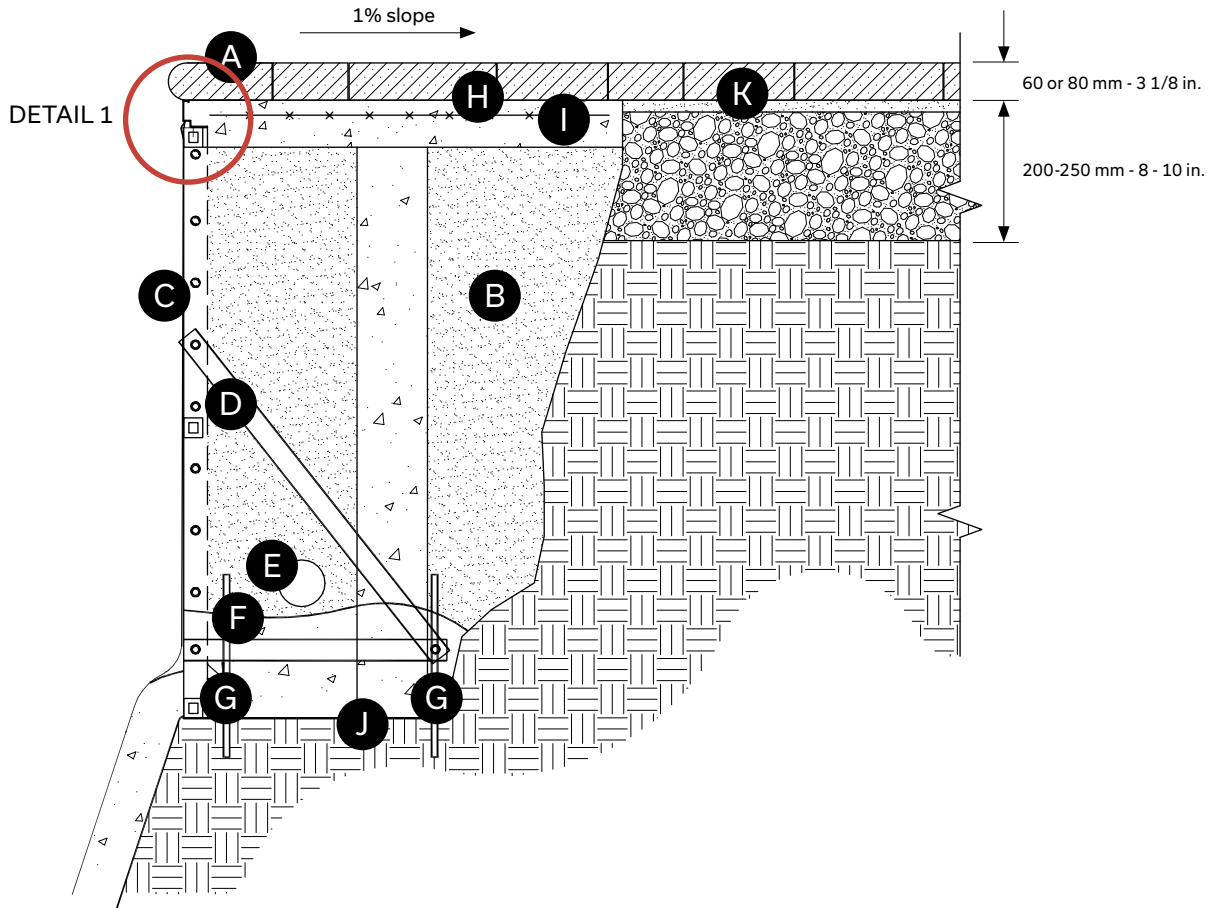


Laguna, Leno and Marina Pool Capping

CROSS-SECTION - POOL WITH PAVERS



DETAIL 1

- (A)** Pool capping and pavers glued with Techniseal concrete adhesive or mortar
- (B)** Sand
- (C)** Pool panels
- (D)** Reinforcement bars
- (E)** Perforated drain: 100 mm Ø - 4 in.
- (F)** Concrete footing 200 x 200 mm - 8 x 8 in.
- (G)** Metal rod 10 mm - 3/8 in.
- (H)** Concrete deck 1 m - ± 39 in. wide x 100 mm - 4 in. thick
- (I)** Wire mesh 150 x 150 mm - 6 - 6 in. x 9 ml (G)
- (J)** Concrete Sonotube 150 mm - 6 in. Ø
- (K)** Bedding course 25 mm - 1 in.