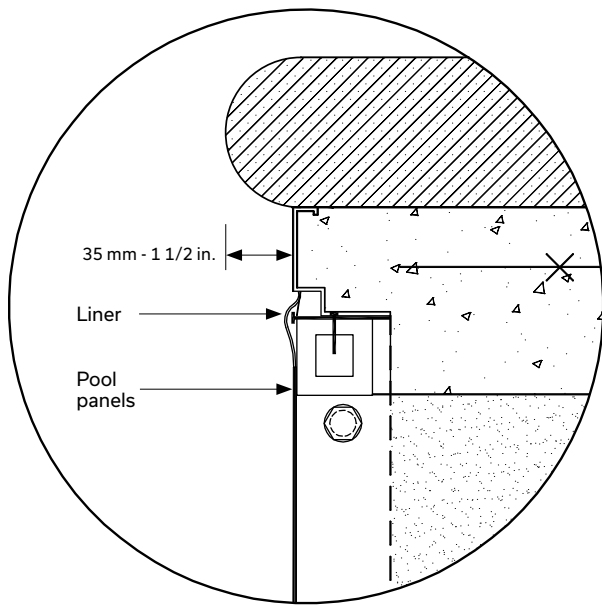
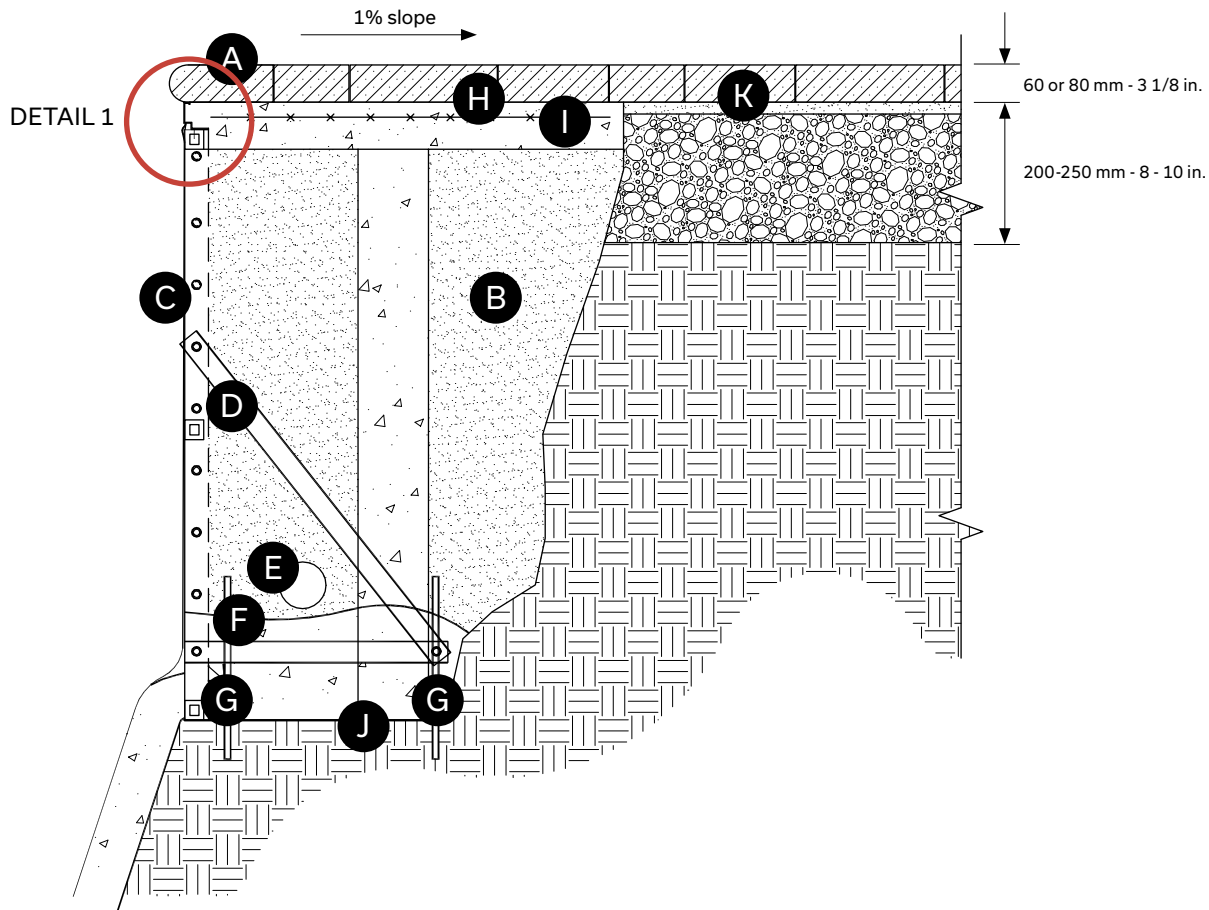


# Laguna, Leno and Marina Pool Capping

## CROSS-SECTION - POOL WITH PAVERS



DETAIL 1

- Ⓐ Pool capping and pavers glued with Techniseal concrete adhesive or mortar
- Ⓑ Sand
- Ⓒ Pool panels
- Ⓓ Reinforcement bars
- Ⓔ Perforated drain: 100 mm Ø - 4 in.
- Ⓕ Concrete footing 200 x 200 mm - 8 x 8 in.
- Ⓖ Metal rod 10 mm - 3/8 in.
- Ⓗ Concrete deck 1 m - ± 39 in. wide x 100 mm - 4 in. thick
- Ⓘ Wire mesh 150 x 150 mm - 6 - 6 in. x 9 ml (G)
- ⓵ Concrete Sonotube 150 mm - 6 in. Ø
- Ⓚ Bedding course 25 mm - 1 in.