

# Orion Firepit

## DESCRIPTION



Create a cozy atmosphere with the Orion Firepit. With its sleek and elegant look, it will certainly become the gathering spot of your landscape design. This easy-to-assemble product includes the necessary number of concrete units, a black galvanized metal insert, and hardware. The spark arrestor which can be added to the order, is simply inserted in the centre of the firepit.

## ASSEMBLY

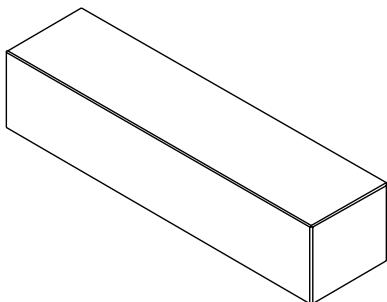
### CONTENT

ORION FIREPIT KIT INCLUDES:

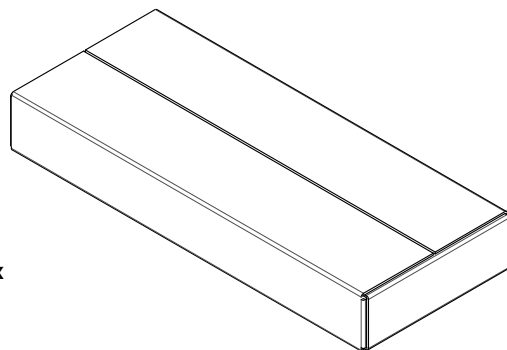
- > 12 Orion concrete units in Range Scandina Grey (12051110) or Range Amber Beige (12051111)
- > 1 black galvanized metal insert including necessary hardware (in a box)

The spark arrestor (205500004) is sold separately.

12 x Orion  
concrete units



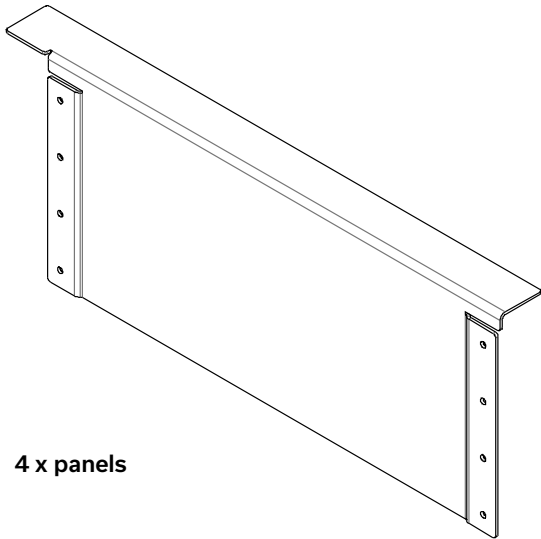
1 x metal  
insert box



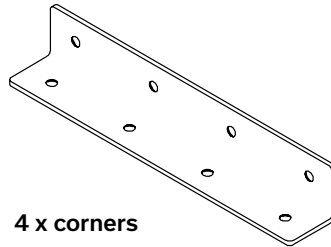
# ORION FIREPIT

## ASSEMBLY

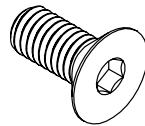
IN THE BOX:



4 x panels



4 x corners



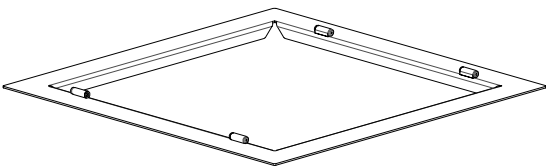
32 x bolts



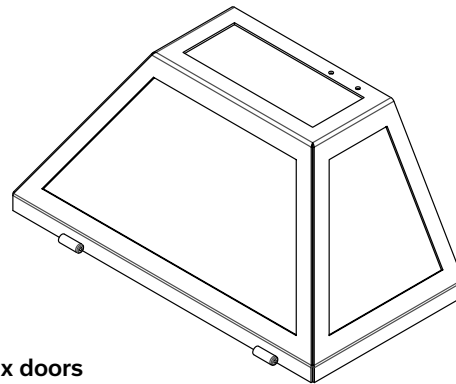
32 x nuts

## SPARK ARRESTOR

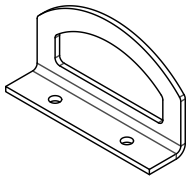
IN THE BOX:



1 x frame



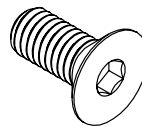
2 x doors



2 x handles



2 x metal rods



4 x bolts



4 x nuts

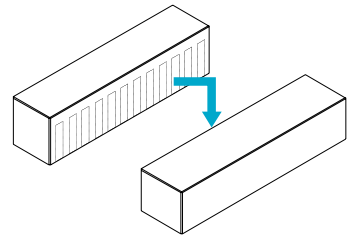
**ORION FIREPIT INSTALLATION**

**ORION FIREPIT UNITS**

- > Prepare the installation area by referring to the slab installation portion of the Permacon installation guide
- > Ensure the base is level prior to installation
- > Install the Orion concrete units in desired location
  - Install the units on the ground in a square shape. Make sure every unit is used once as a corner
  - Once the first row is complete, apply Techniseal concrete adhesive on top of the units
  - For the second row, offset the corners to avoid vertical joint lines
  - Apply Techniseal concrete adhesive on top of the second row of units
  - For the third row, offset the corners once again so they have the same vertical joints as the first row
- > If the firepit is in an area with slabs or pavers, install them around the firepit and cut where necessary

**CAUTION !**

Orion units must be turned on their side once removed from the skid. The spacers should face the ground.

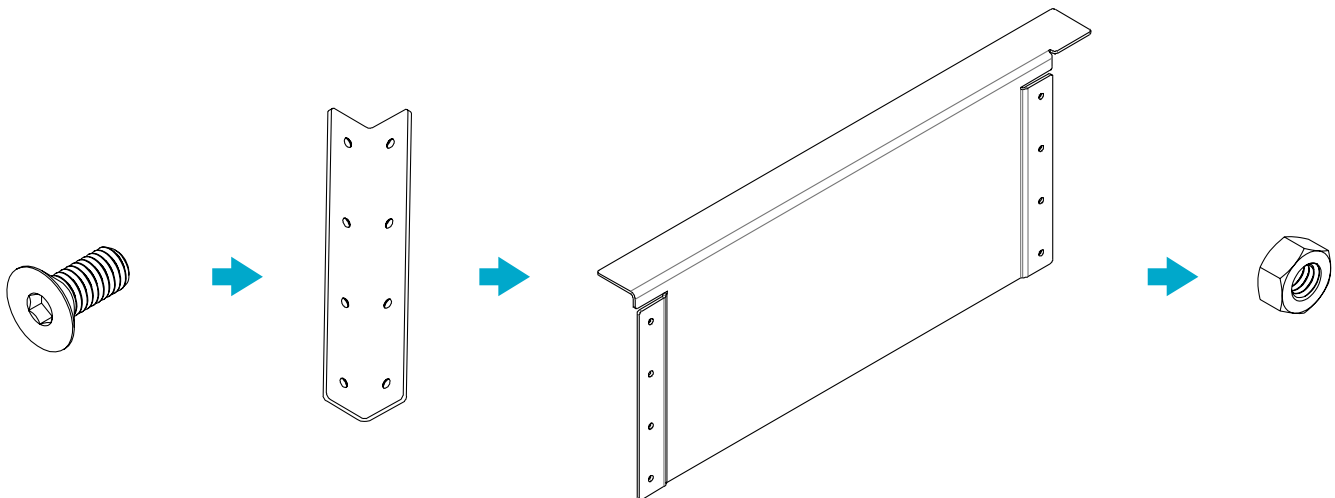


**METAL INSERT**

All the necessary tools for the following steps, such as a hex key and a flat key, are provided in the nuts-and-bolts bag.

**1**

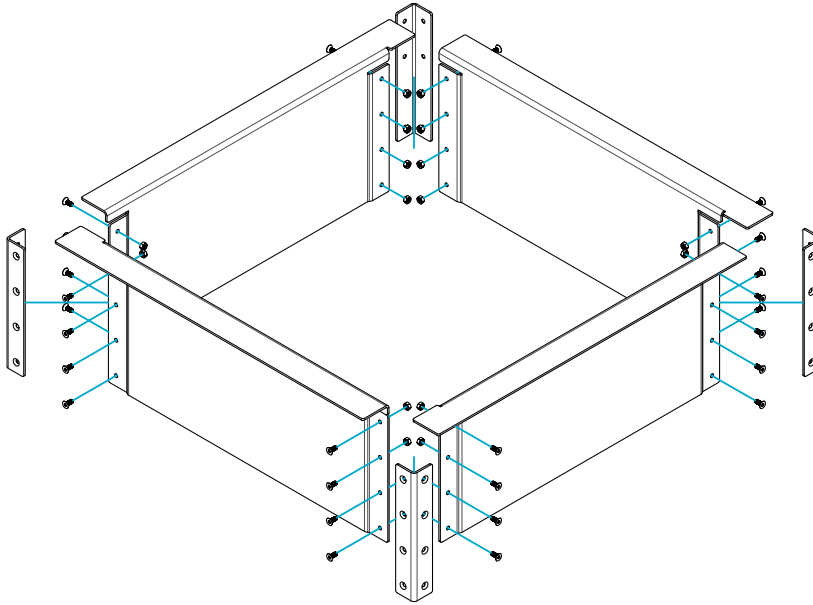
Assemble a **corner** to a **panel** using the supplied nuts-and-bolts. The corner goes on the outside of the panel. The bolts should point to the inside of the firepit and the nuts go inside the firepit.



## ORION FIREPIT INSTALLATION

**2**

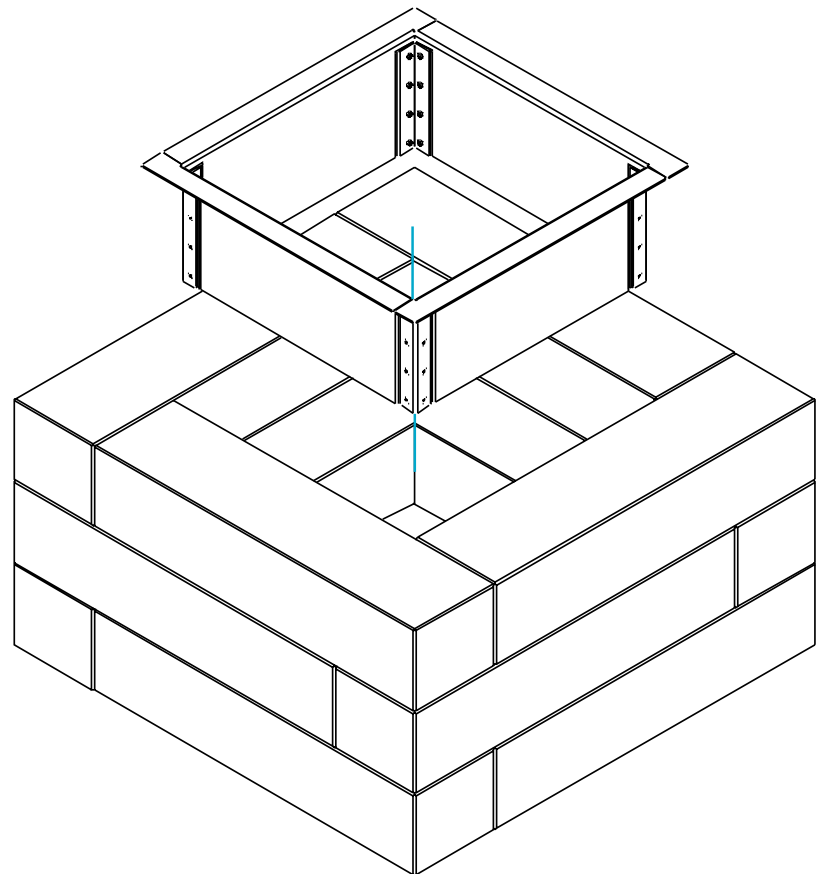
Repeat step #1 to attach all four panels of the metal insert.

**3**

Slide the metal insert in between the assembled Orion Firepit. It is not necessary to use concrete adhesive to glue the insert to the Orion Firepit.

**4**

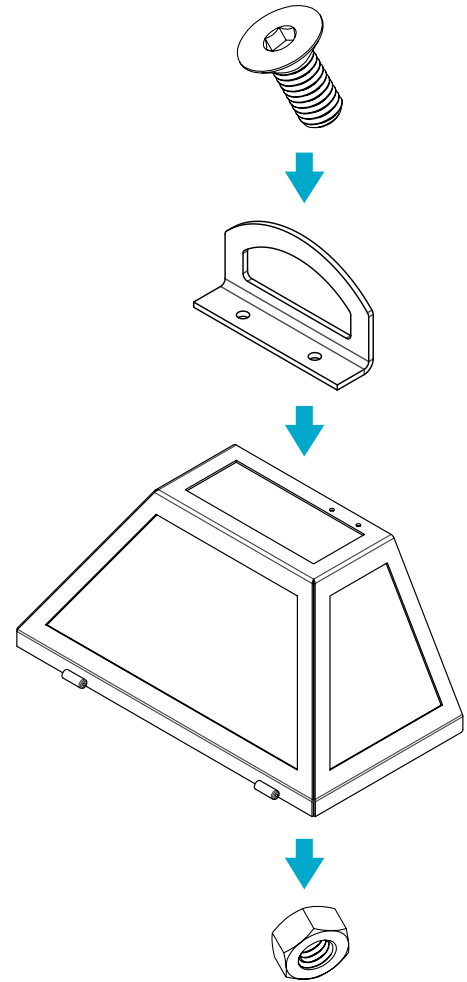
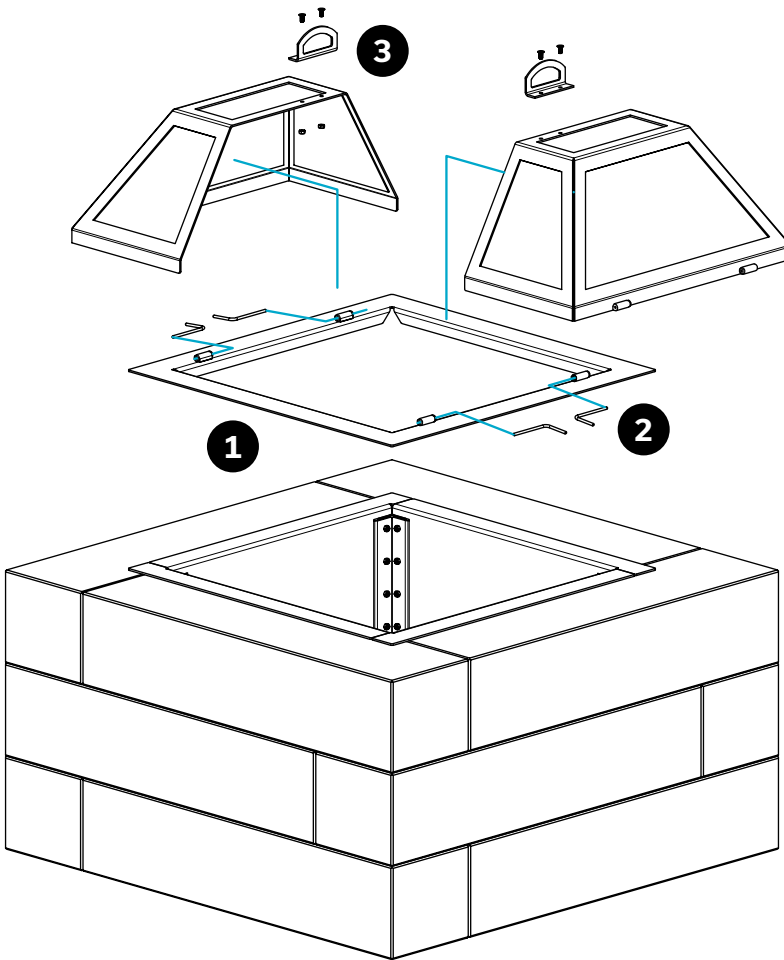
Put 3/4 in. net stone at the bottom of the firepit till it meets the edge of the metal insert (depth of the stone: 290 mm or 11 3/8 in.). This step is essential to protect the units against the intense heat of the fire.



## SPARK ARRESTOR INSTALLATION

## SPARK ARRESTOR

All the necessary tools for the following steps, such as a hex key and a flat key, are provided in the nuts-and-bolts bag.



1

Position the **frame** over the Orion Firepit metal insert.

2

Attach the **doors** to the **frame** using the **hinges** and **metal rods**. Align both cylinders of the hinges together and insert the metal rod to complete this step.

3

Screw the **handles** to the **doors** with the supplied nuts-and-bolts. The bolts should point to the inside of the firepit. The nuts go inside the firepit.

**ORION FIREPIT AND SPARK ARRESTOR**

The Orion Firepit is now assembled. Make sure to follow any municipal by-laws regarding outdoor fires.

