











ARTEX Panel System



REQUIRED TOOLS

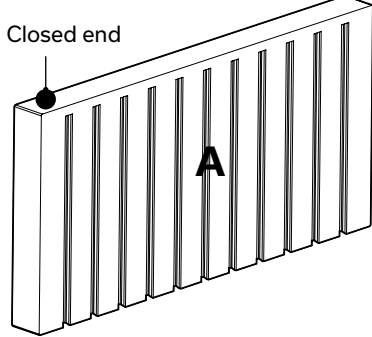
- > Drill 
- > Mallet 
- > Measuring tape 
- > Saw 
- > Level 
- > Deep hex socket 7/16 in. with 1/4 in. drive 
- > Socket adaptor 1/4 in. hex shank to 1/4 in. drive 
- > Chipping hammer 
- > Bar clamp (48 in.) 
- > Plastic shims 

SAFETY EQUIPMENT

- > Safety boots 
- > Gloves 
- > Safety glasses 
- > Mask 

PARTS LIST - CONCRETE PANELS

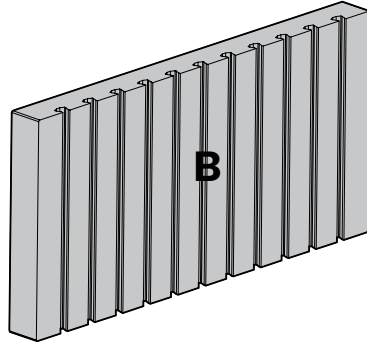
18 X 36 PANEL - CLOSED END



Closed end

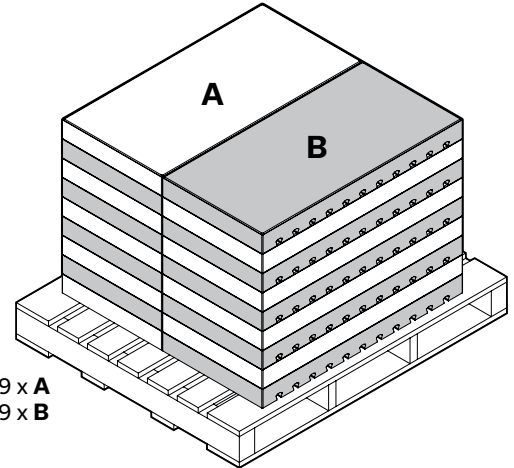
18 x 36 x 3 in. (150 lb)
457 x 914 x 76 mm (67 kg)

18 X 36 PANEL



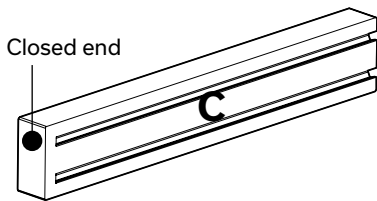
18 x 36 x 3 in. (148 lb)
457 x 914 x 76 mm (66 kg)

40 x 48 in. pallet (18 units/pallet)*



9 x A
9 x B

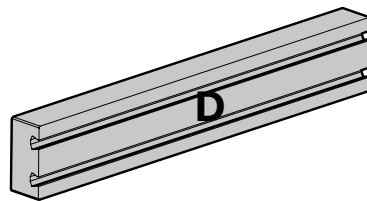
6 X 36 PANEL - CLOSED END



Closed end

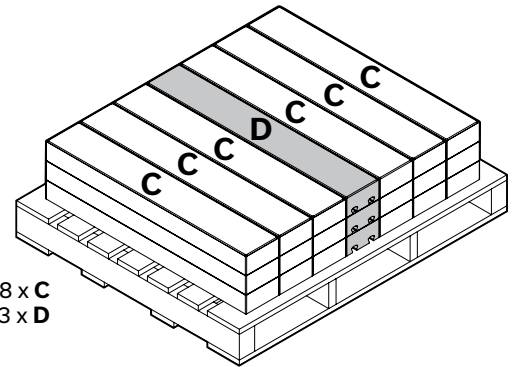
6 x 36 x 3 in. (49 lb)
152 x 914 x 76 mm (22 kg)

6 X 36 PANEL



6 x 36 x 3 in. (49 lb)
152 x 914 x 76 mm (22 kg)

40 x 48 in. pallet (21 units/pallet)*



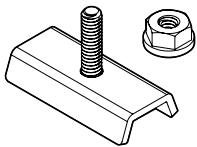
18 x C
3 x D

* **IMPORTANT:** 18x36 in. panels are sold in pair/layer or in full pallet only. 6x36 in. panels are sold per unit or in layer or in full pallet.

PARTS LIST - HARDWARE (STAINLESS STEEL)

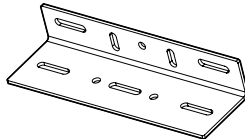
ANCHOR SLIDE

1/4 in. x 20 studs and nuts
2 x 1 1/4 x 1 in. - 51 x 33 x 25 mm
100 units/box



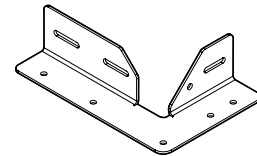
JOINING PLATE

(can be sold separately)
8 1/4 x 2 1/2 x 1 1/2 in. - 209 x 63 x 38 mm
40 units/box



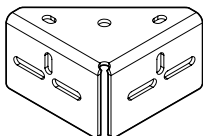
INNER CORNER

(can be sold separately)
9 x 6 x 2 1/2 in. - 232 x 155 x 63 mm
24 units/box



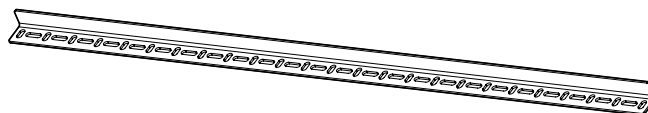
OUTER CORNER

(can be sold separately)
4 x 4 x 2 1/2 in. - 101 x 101 x 63 mm
48 units/box



STRETCHER BAR

(can be sold separately)
36 3/4 x 1 1/4 x 1 in. - 933 x 33 x 25 mm
10 units/box



APPLICATIONS

PLANTER BOX/BENCH



PRIVACY WALL



FIRE PIT*



RAISED GARDEN



OUTDOOR KITCHEN*



COUNTER



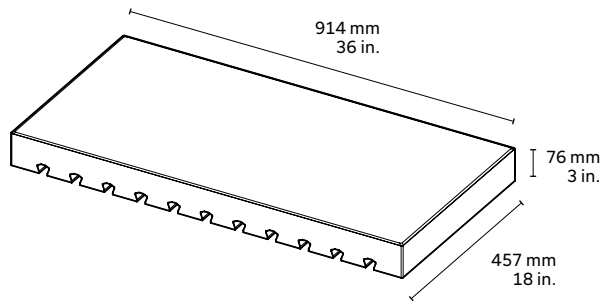
FOR MORE APPLICATIONS REFER TO THE ARTEX IDEA BOOK :



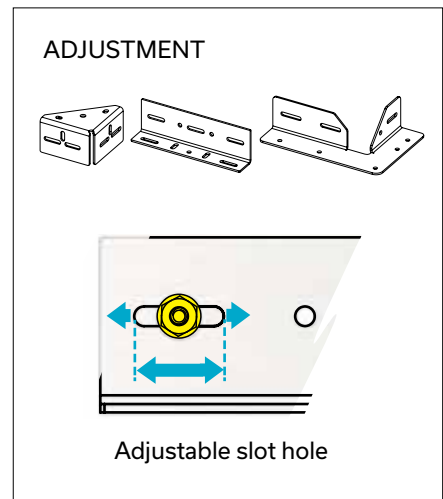
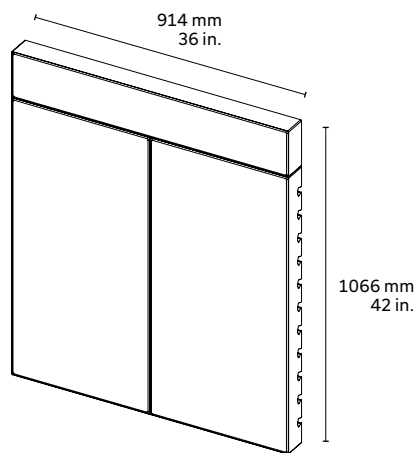
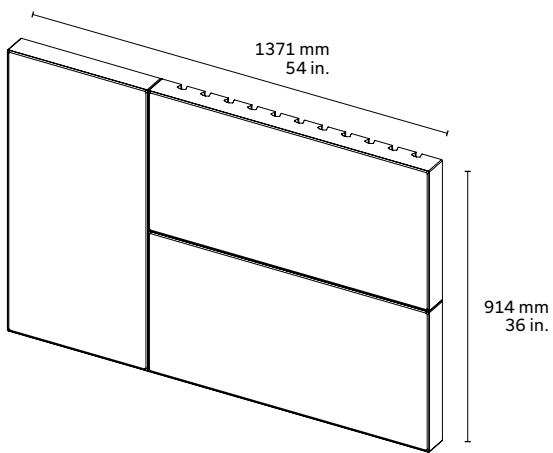
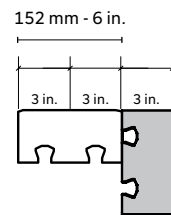
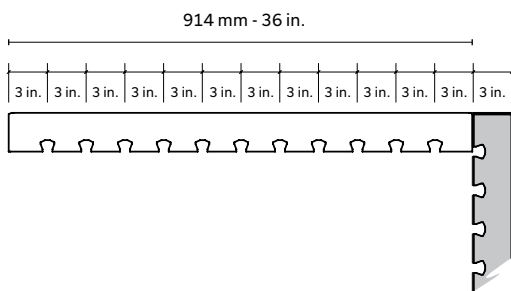
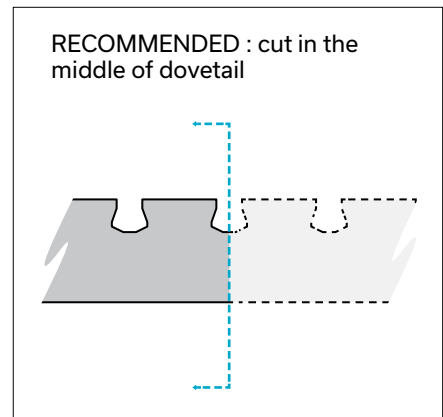
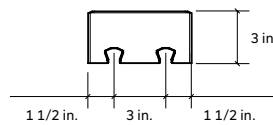
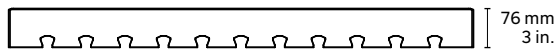
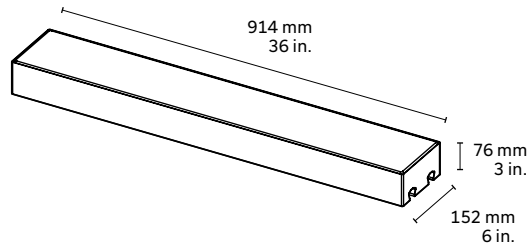
IMPORTANT: For all complementary appliances/accessories to the ARTEX panel system, follow manufacturer's instructions/guidelines. Consult qualified services person/ experts to validate installations, repairs, safety recommendations and any other related topics.

MODULARITY - SYSTEM

18 X 36 PANEL



6 X 36 PANEL



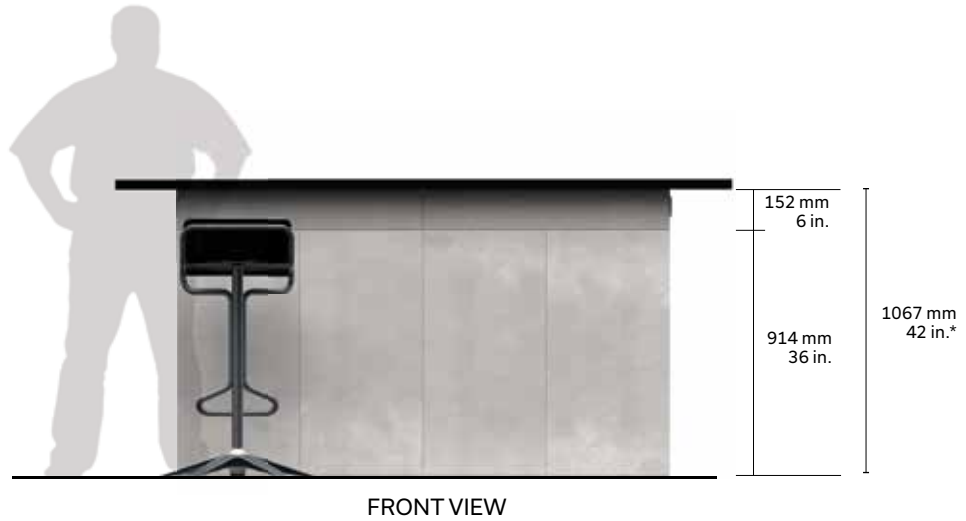
NOTE: It is recommended to design structures with overall dimensions using increments of 3 in. - 76mm.

MODULARITY - REFERENCES

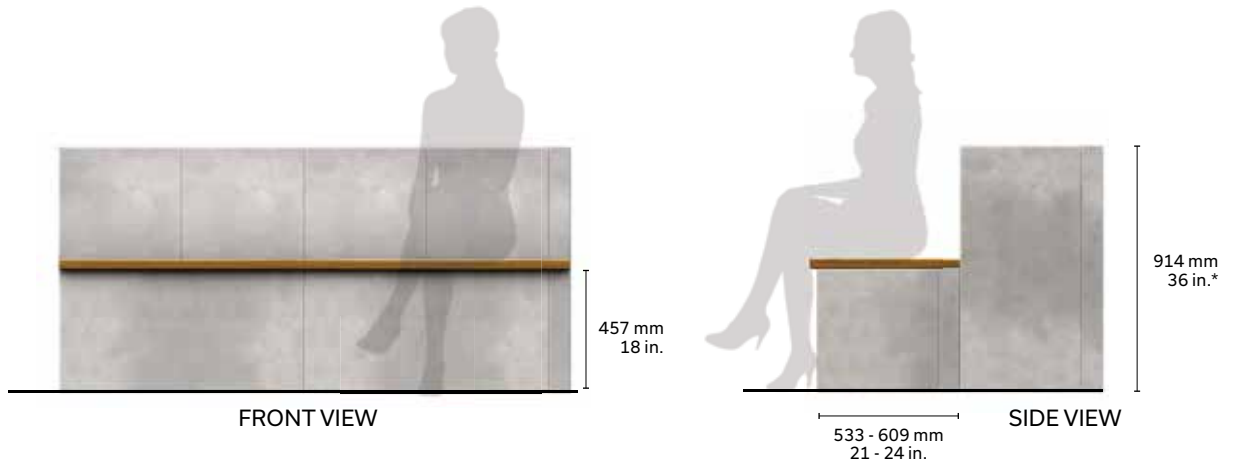
KITCHEN TABLE



BAR TABLE



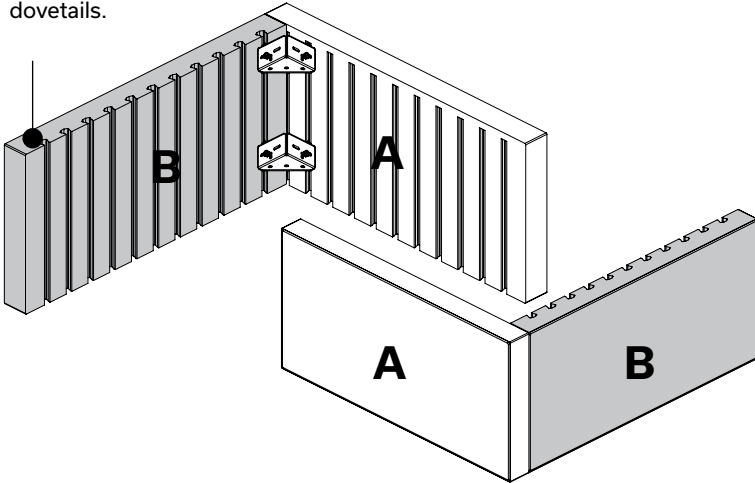
SEATING



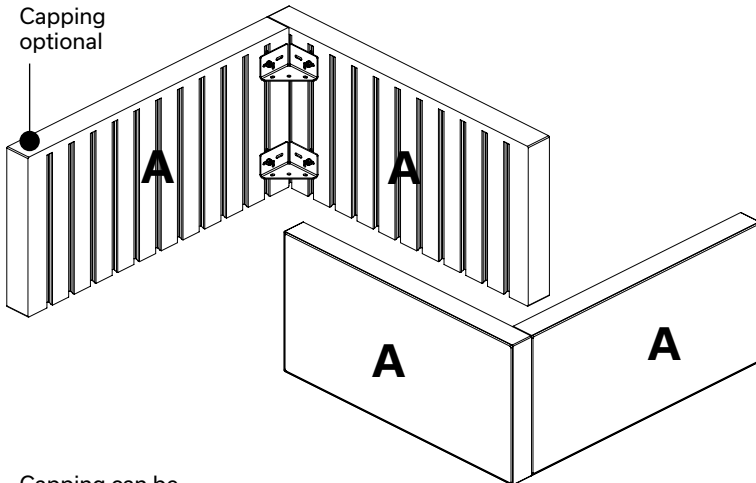
* Maximum height of 36 in. for planter box and 42 in. for outdoor living structure. Any higher structure must be designed by an engineer.

PANEL CONFIGURATIONS

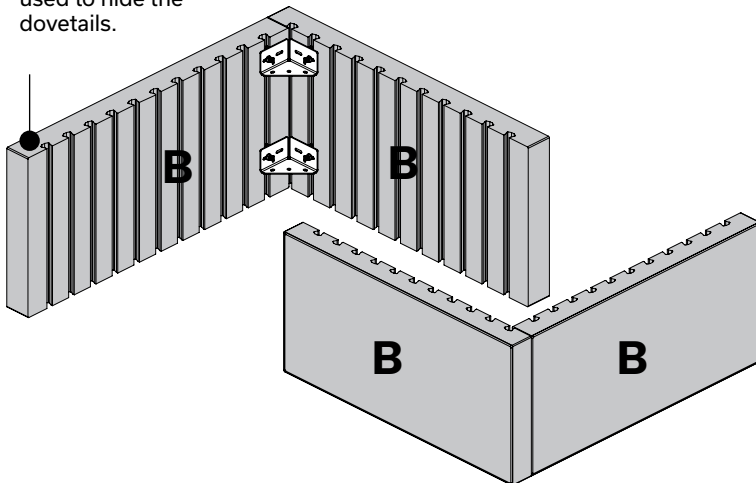
Capping can be used to hide the dovetails.



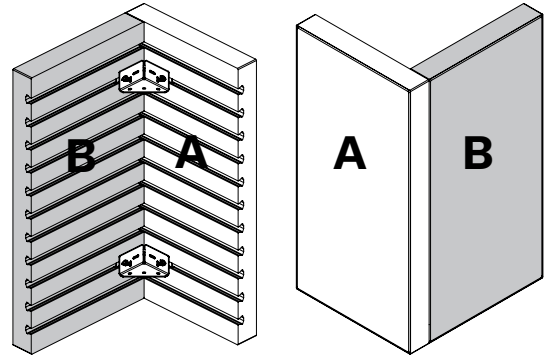
Capping optional



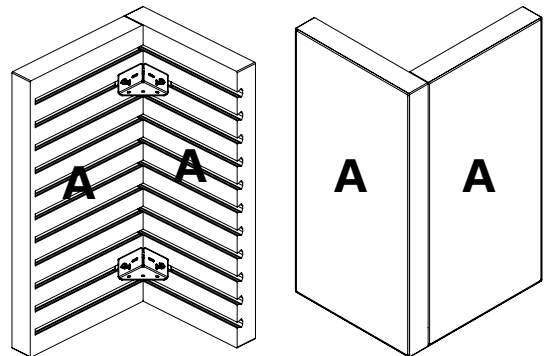
Capping can be used to hide the dovetails.



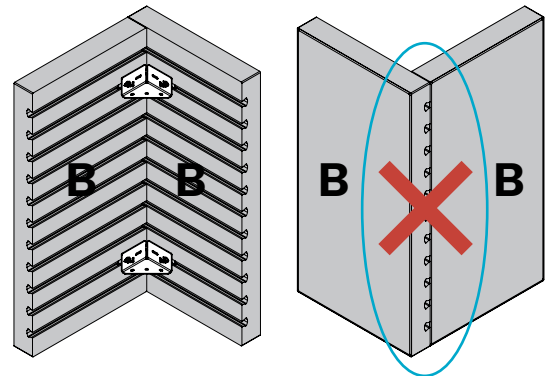
IDEAL:
This configuration uses equal number of panel A and panel B.



NOT OPTIMAL: This configuration uses panel A only.



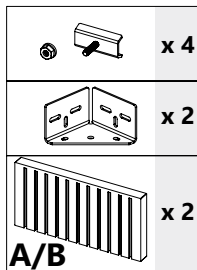
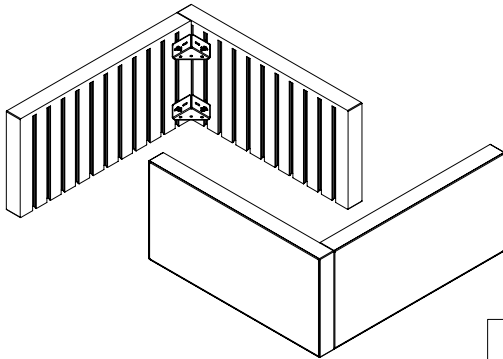
NOT OPTIMAL: This configuration uses panel B only and the dovetails are exposed. Use ideal configuration as shown above.



IMPORTANT: When planning configurations, consider the amount of panel A and panel B on a pallet. 18 x 36 in. panels are sold in pair/layer or in full pallet only. 6 x 36 in. panels are sold in layer or in full pallet only.

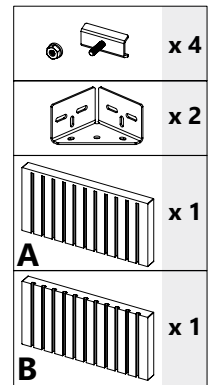
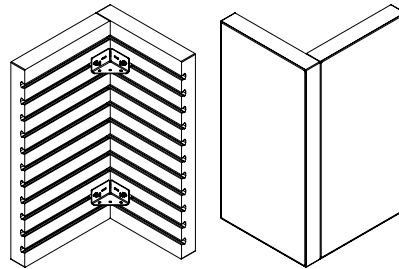
OUTER CORNER INSTALLATION

HORIZONTAL PANELS

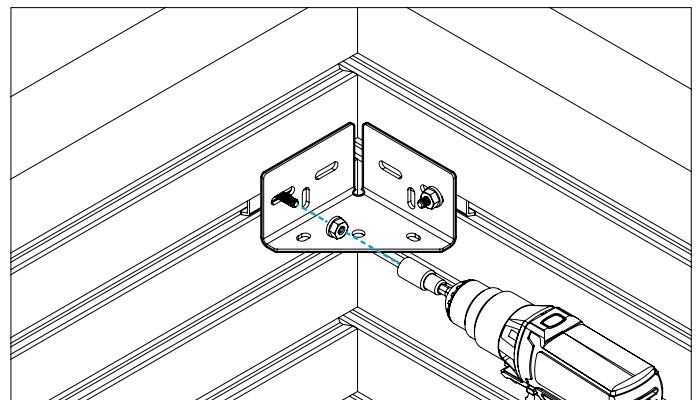
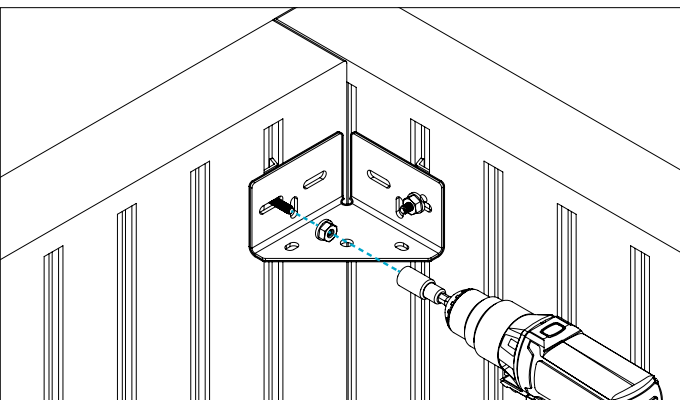
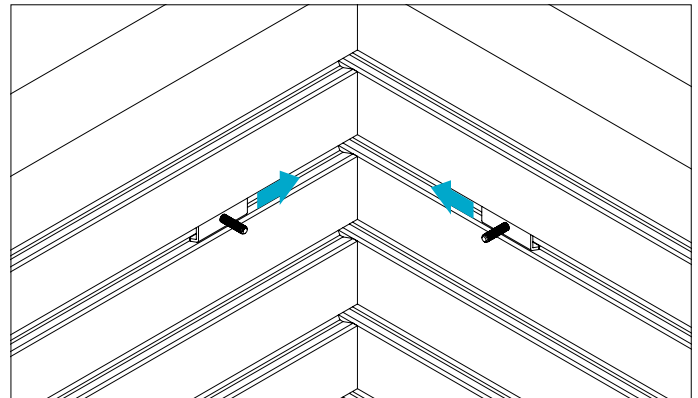
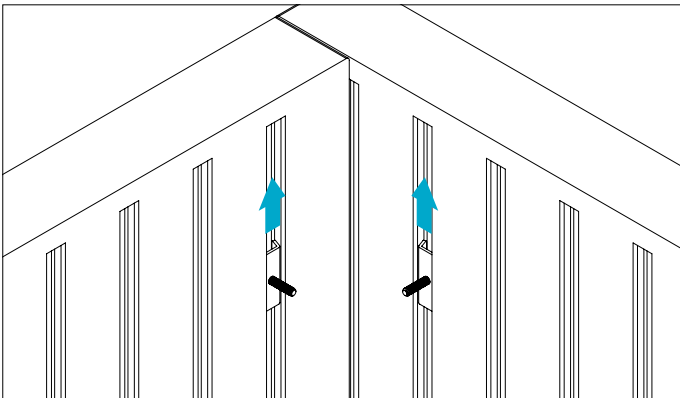


IMPORTANT: Always use a minimum of 2 outer corner brackets per corner assembly.

VERTICAL PANELS



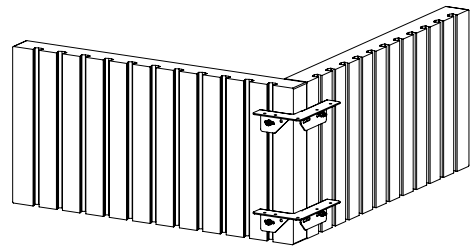
IMPORTANT: Always use a minimum of 2 outer corner brackets per corner assembly.


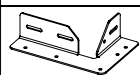



For more details, see **TIPS and TRICKS** at the end of this section.

INNER CORNER INSTALLATION

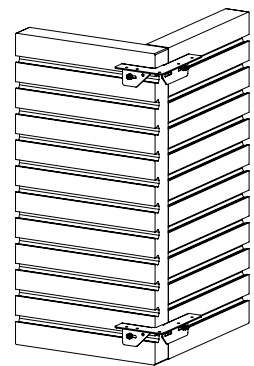
HORIZONTAL PANELS


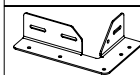
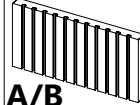


-  x 4
-  x 2
-  x 2
A/B

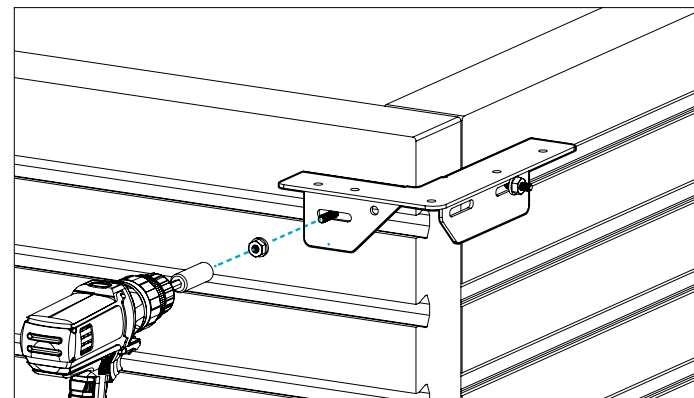
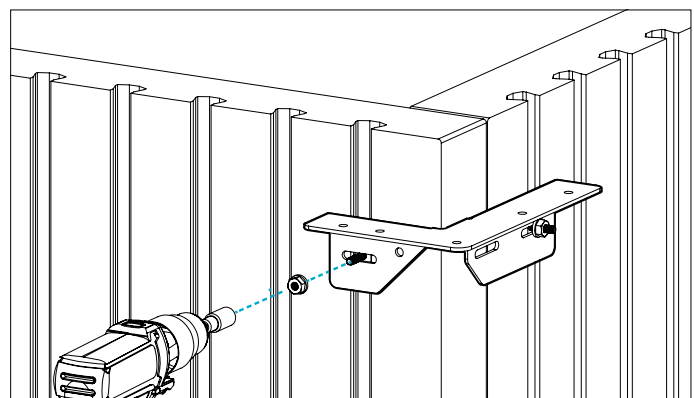
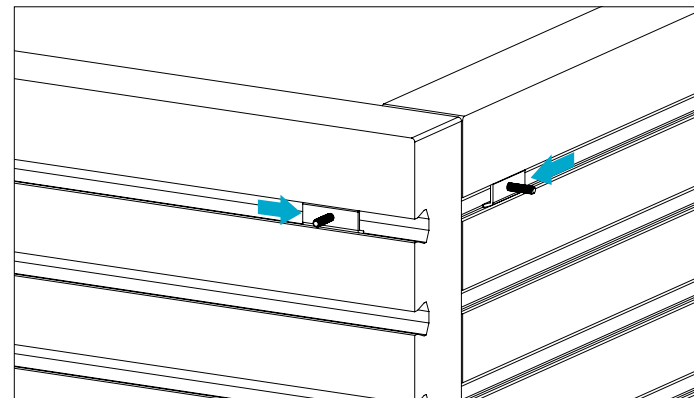
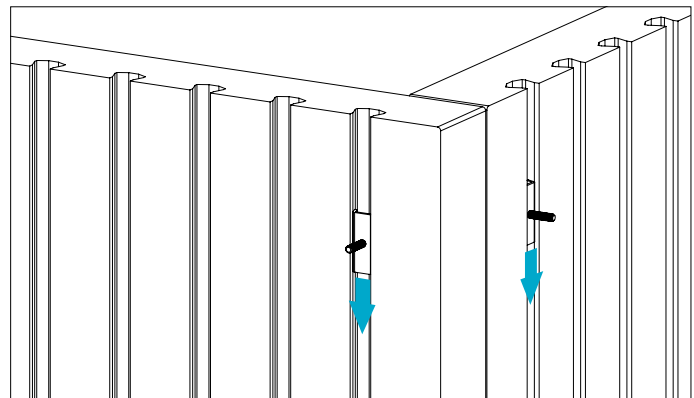
IMPORTANT: Always use a minimum of 2 inner corner brackets per corner assembly.

VERTICAL PANELS



-  x 4
-  x 2
-  x 2
A/B

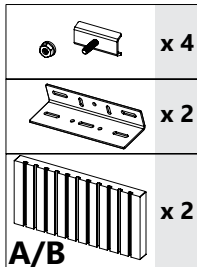
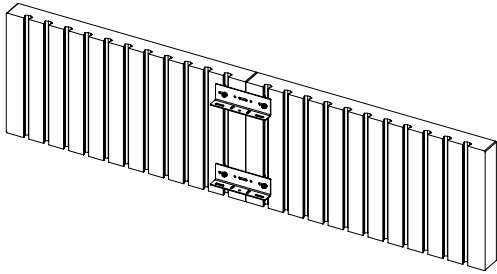
IMPORTANT: Always use a minimum of 2 inner corner brackets per corner assembly.



For more details, see **TIPS and TRICKS** at the end of this section.

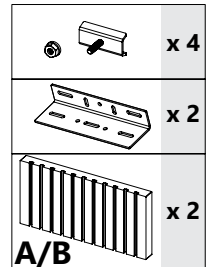
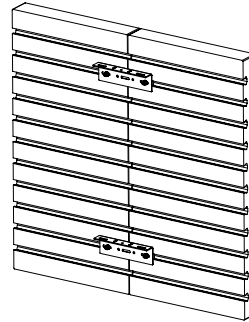
JOINING PLATE INSTALLATION

HORIZONTAL PANELS

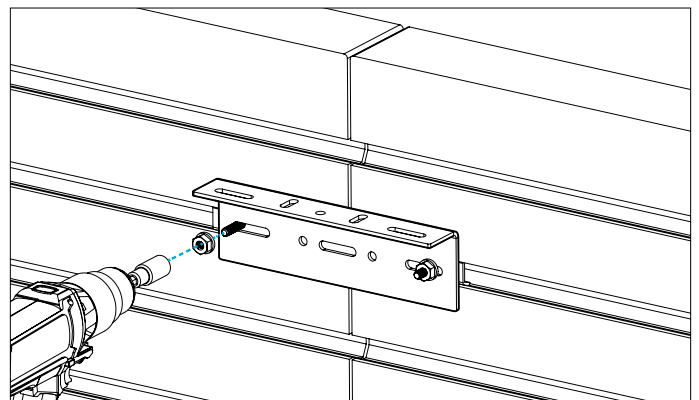
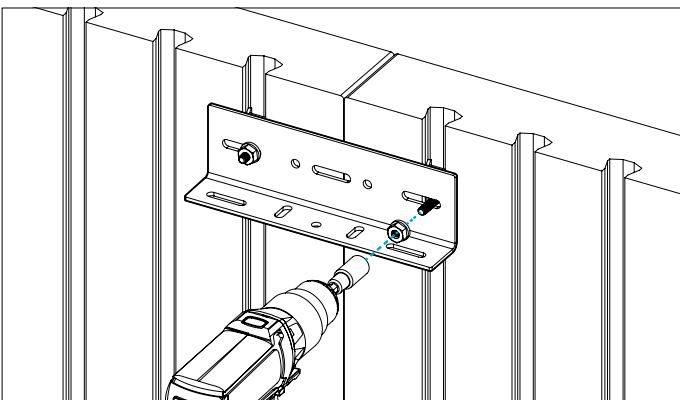
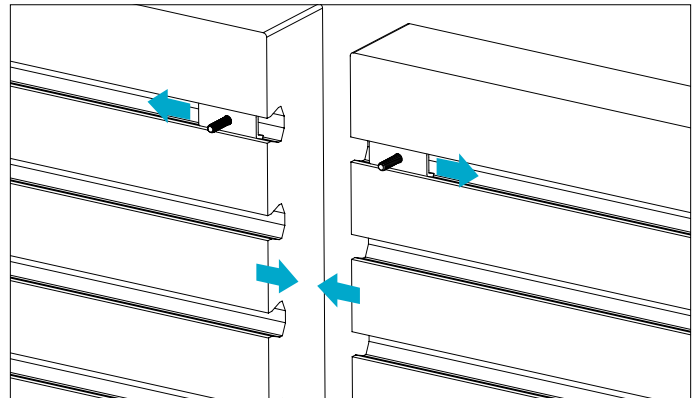
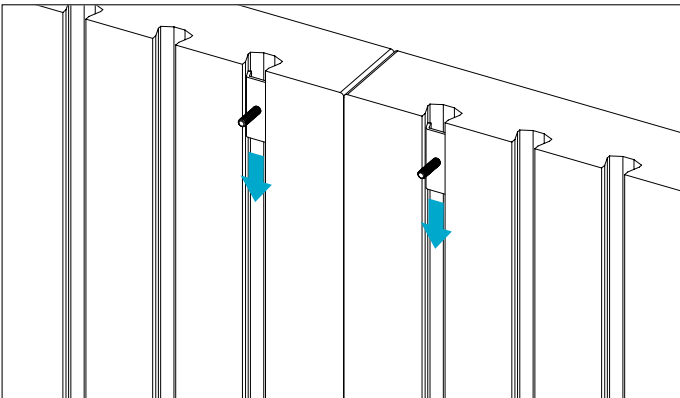


IMPORTANT: Always use a minimum of 2 joining plates when joining two parallel panels.

VERTICAL PANELS



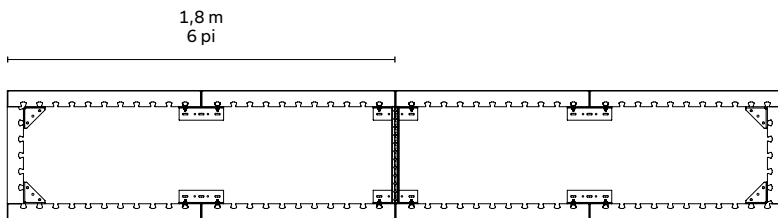
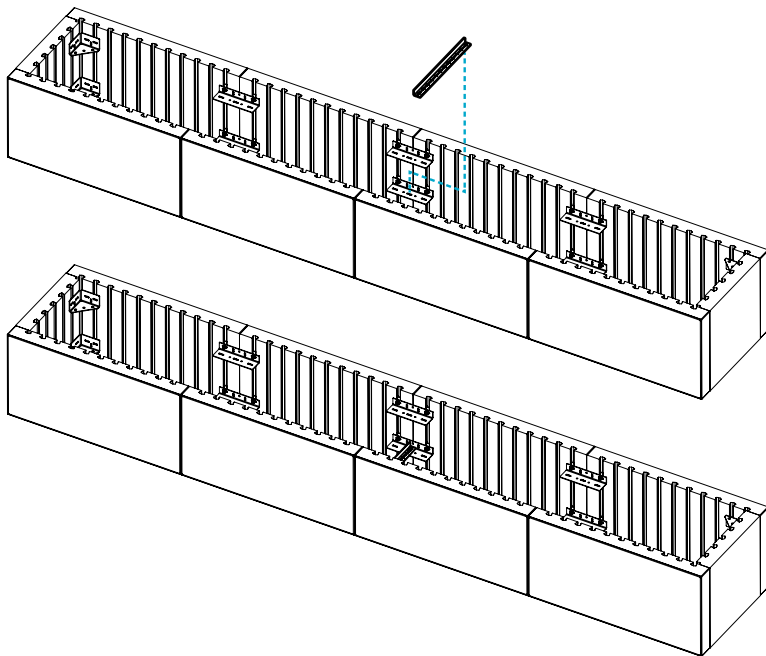
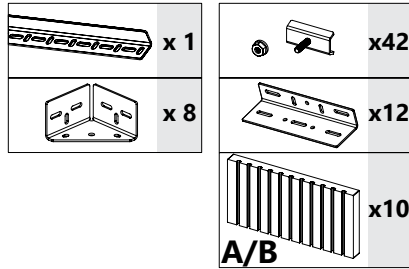
IMPORTANT: Always use a minimum of 2 joining plates when joining two parallel panels.



For more details, see **TIPS and TRICKS** at the end of this section.

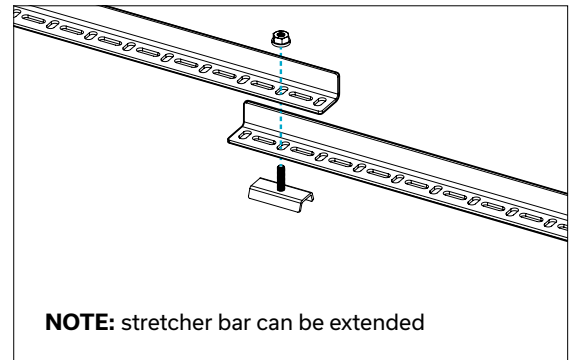
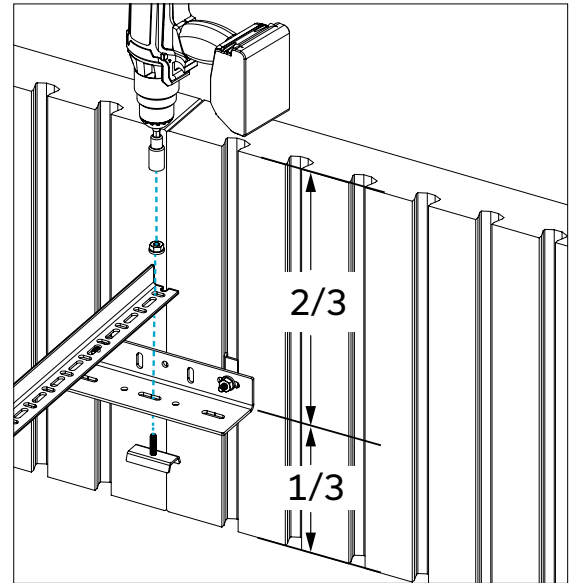
STRETCHER BAR INSTALLATION - HORIZONTAL

HORIZONTAL PANELS



The stretcher bar keeps parallel 2 sets of panels facing each other. It is recommended to attach the stretcher bar to the joining plate every 6 ft. - 1.8m. Place it at 1/3 of the total height from the bottom of assembly.

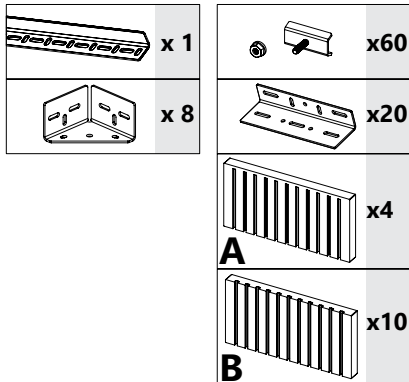
The stretcher bar must be cut to fit distance between 2 sets of panels.



For more details, see **TIPS and TRICKS** at the end of this section.

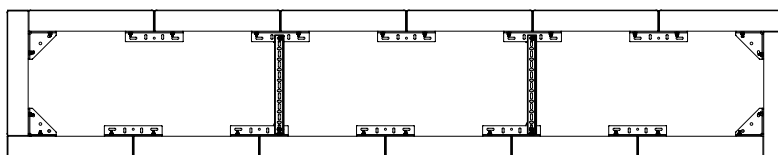
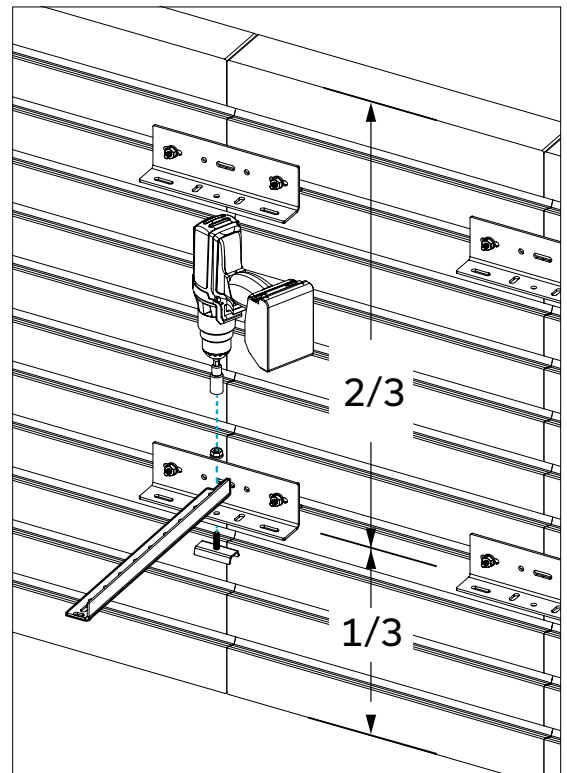
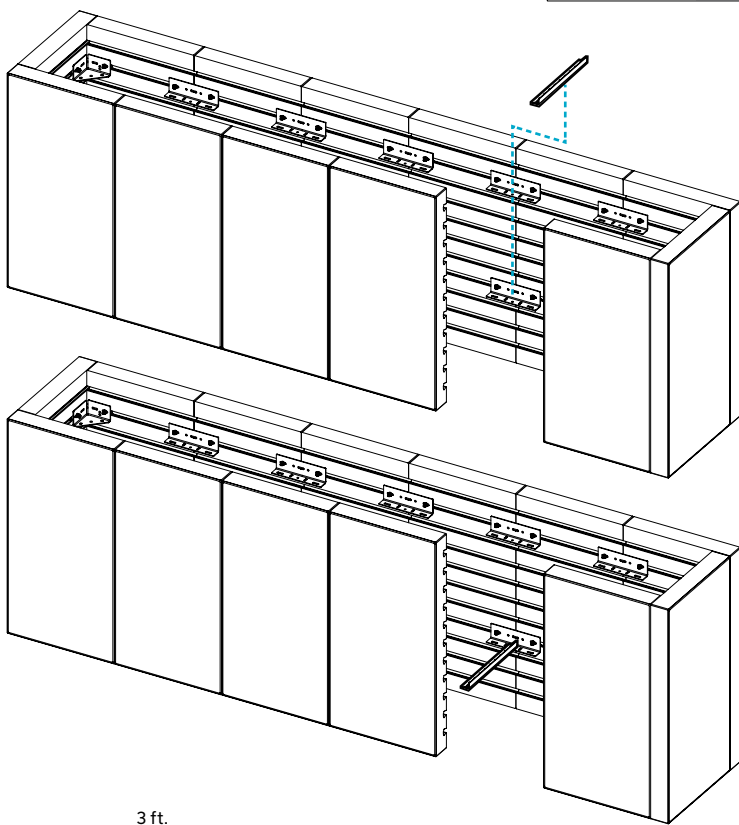
STRETCHER BAR INSTALLATION - VERTICAL

VERTICAL PANELS



The stretcher bar keeps parallel 2 sets of panels facing each other. It is recommended to attach the stretcher bar to the joining plate every 3 ft. - 0.9 m. Place it at approximately 1/3 of the total height from the bottom of assembly.

The stretcher bar must be cut to fit distance between 2 sets of panels.

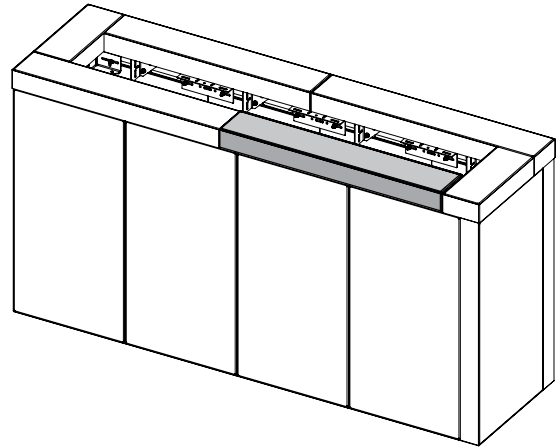
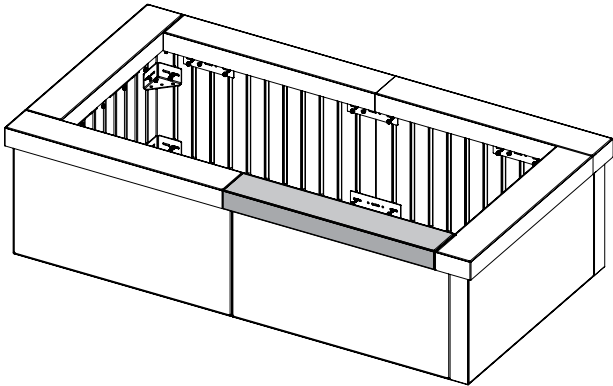


For more details, see **TIPS and TRICKS** at the end of this section.

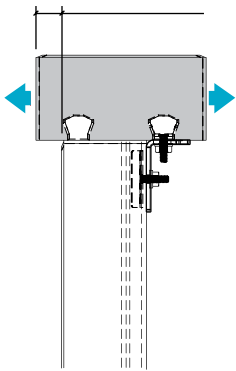
6 X 36 PANEL - COPING INSTALLATION (MECHANICALLY FIXED)

HORIZONTAL PANELS

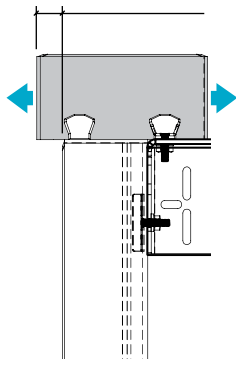
VERTICAL PANELS



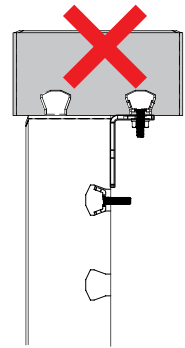
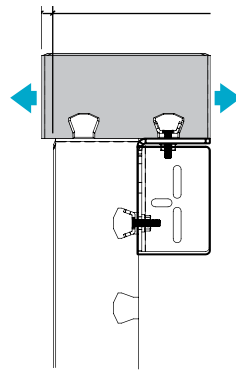
OVERHANG FROM
7/16 to 7/8 in.



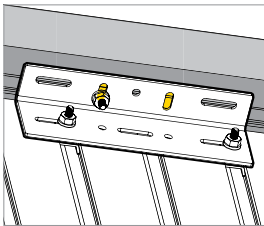
OVERHANG FROM
1/8 to 7/8 in.



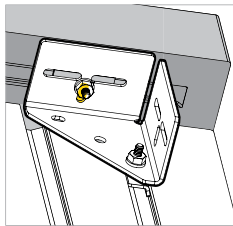
OVERHANG FROM
1/8 to 7/8 in.



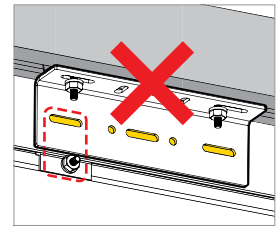
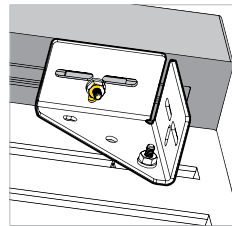
UNE AVANCÉE
(7/16 to 7/8 in.)



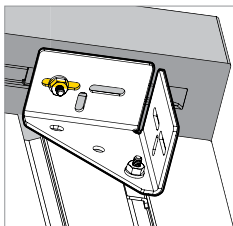
OPTION 1
(7/16 to 7/8 in.)



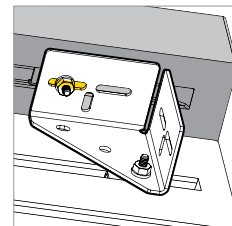
OPTION 1
(7/16 to 7/8 in.)



OPTION 2 (1/8 in.)

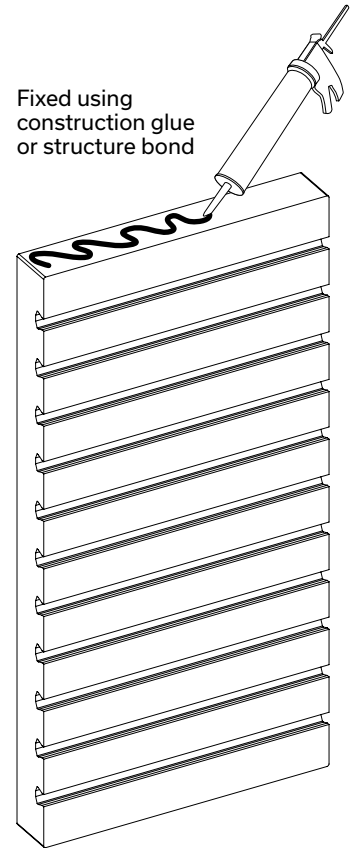
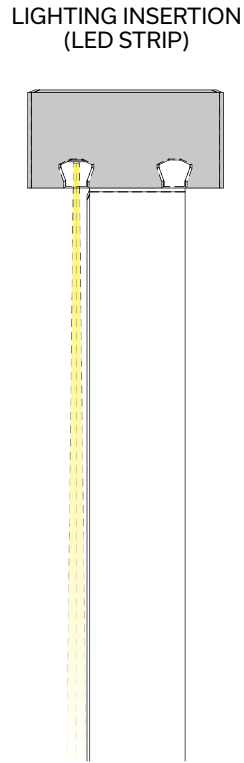
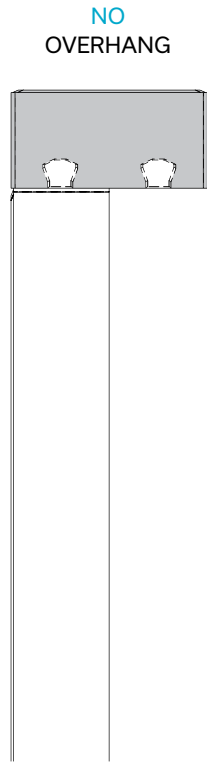
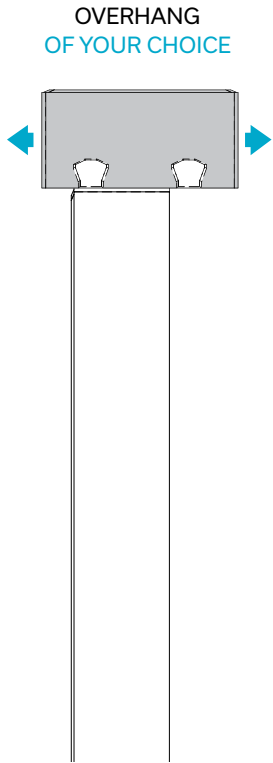


OPTION 2 (1/8 in.)



For more details, see **TIPS and TRICKS** at the end of this section.

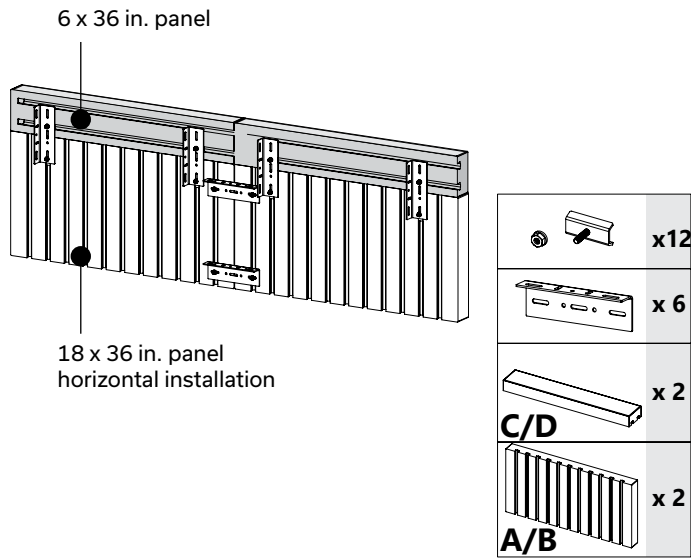
6 X 36 PANEL - COPING INSTALLATION (FIXED WITH ADHESIVE)



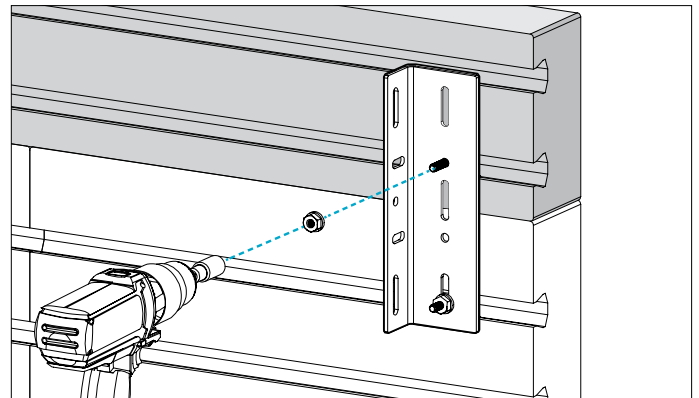
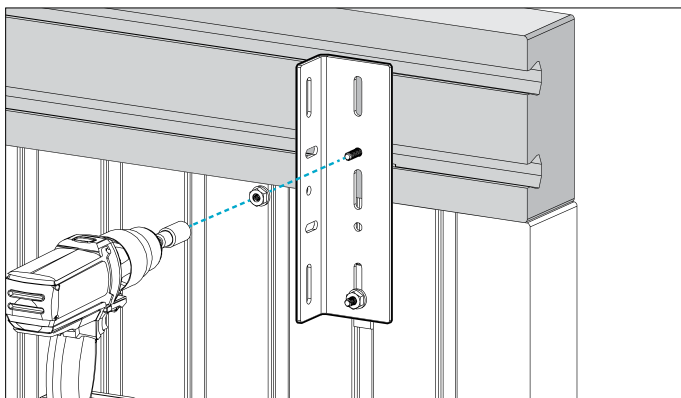
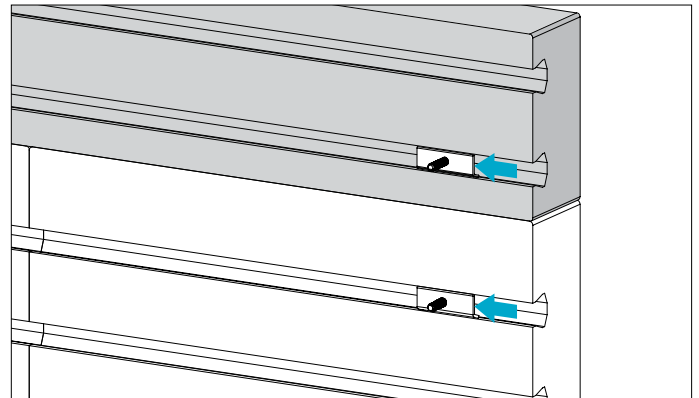
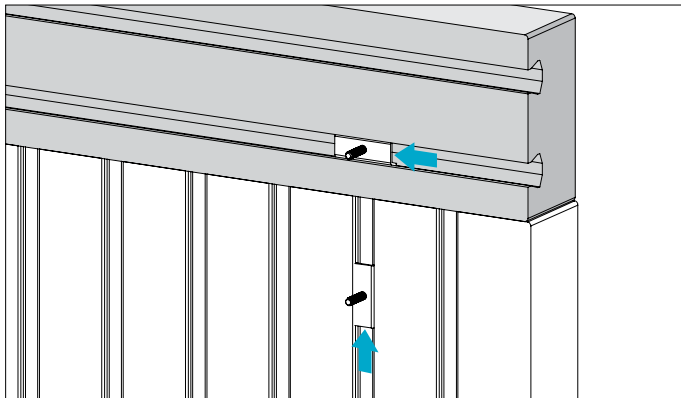
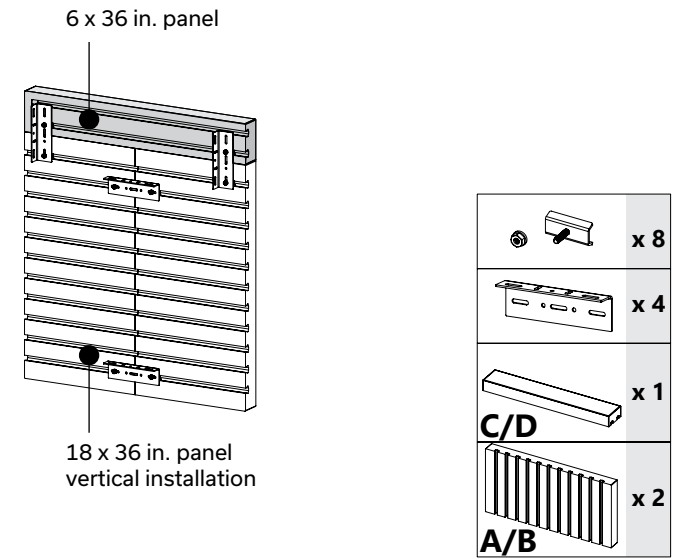
For more details, see **TIPS and TRICKS** at the end of this section.

6 X 36 PANEL – ACCENT INSTALLATION

HORIZONTAL PANELS



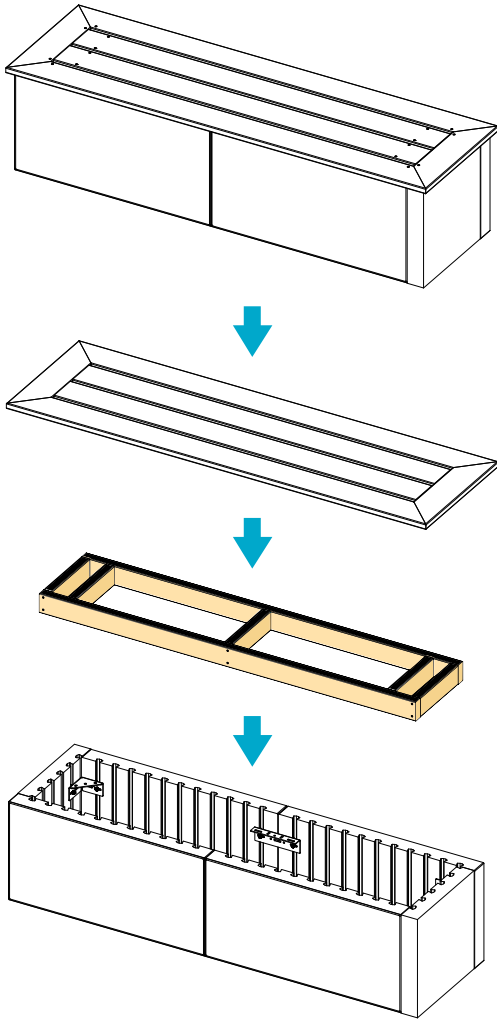
VERTICAL PANELS



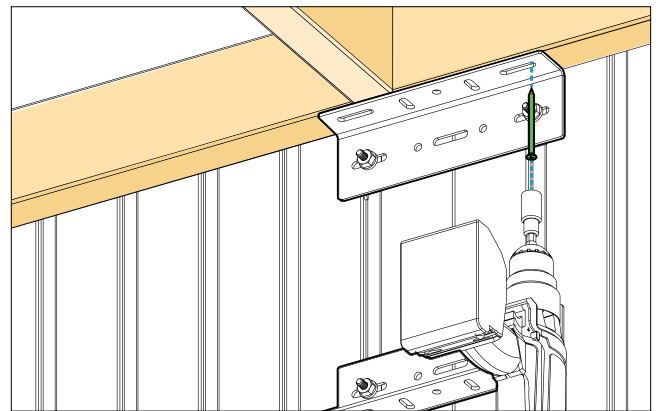
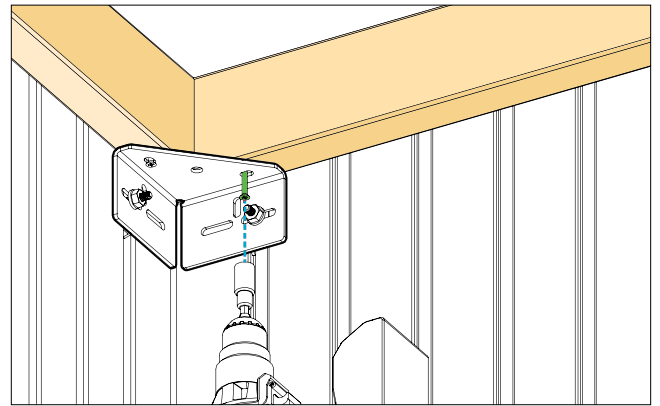
For more details, see **TIPS and TRICKS** at the end of this section.

INTEGRATING WOOD

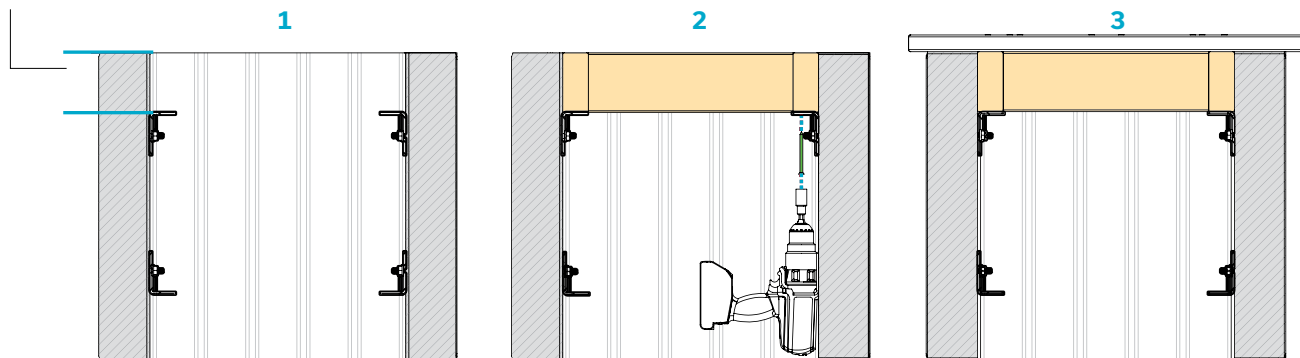
BENCH



	x24
	x 8
	x 4
	x 6
A/B	
	TREATED WOOD SCREW #8 OR 10



Install the hardware according to wood size

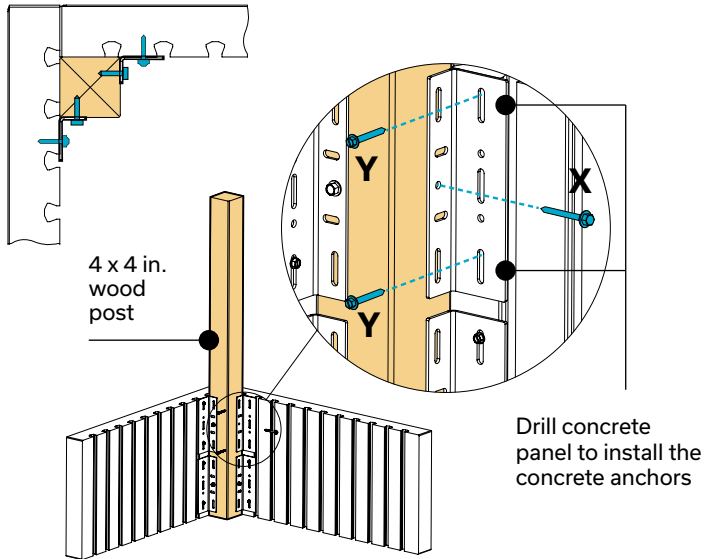


SECTION VIEW

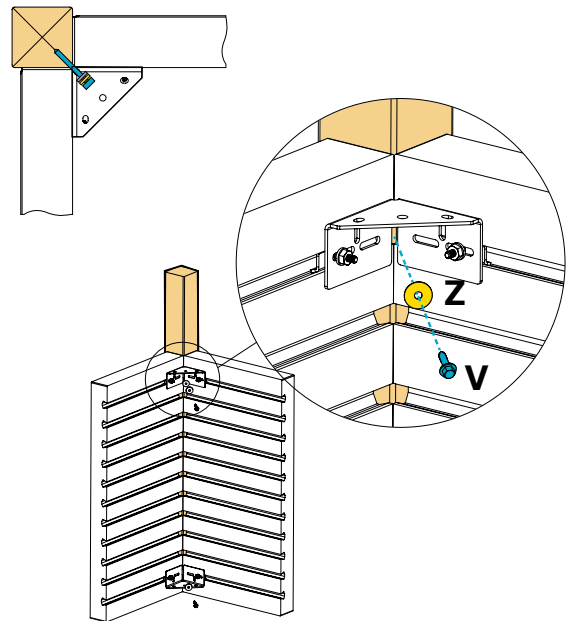
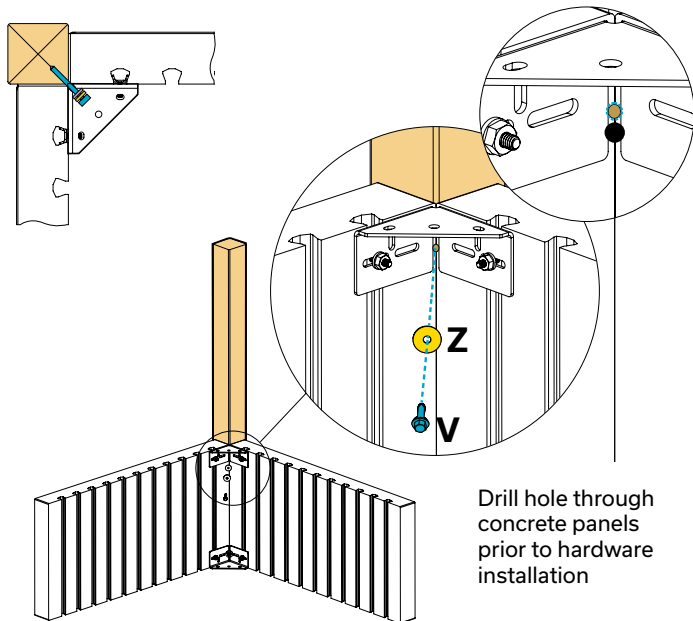
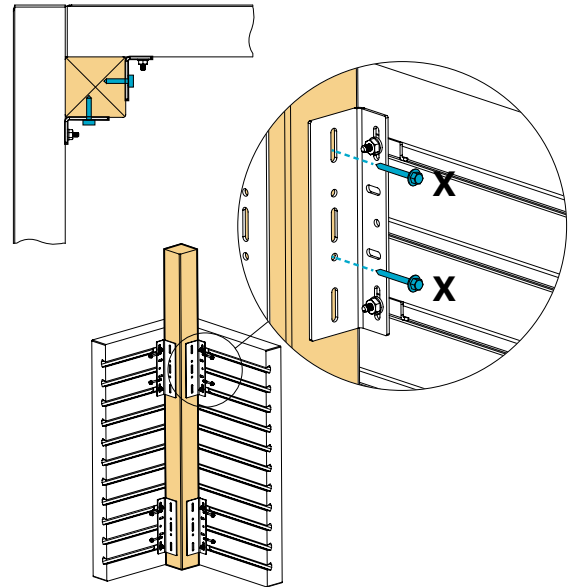
For more details, see **TIPS and TRICKS** at the end of this section.

INTEGRATING 4 X 4 IN. WOOD POSTS

HORIZONTAL PANELS



VERTICAL PANELS



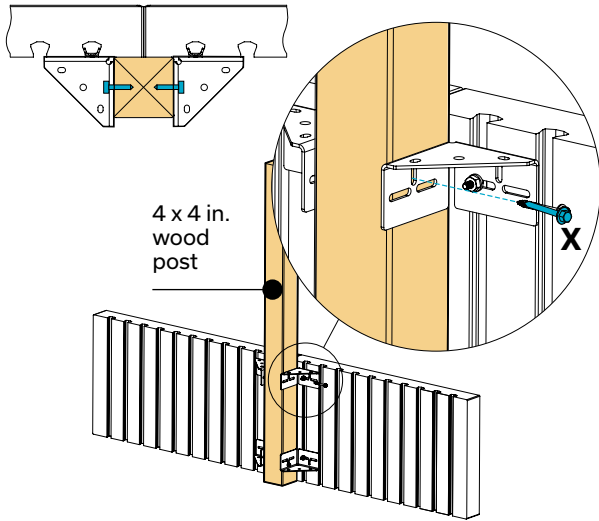
IMPORTANT: Other types of hardware (not included) may be required to make these assemblies (wood screws, concrete anchors, etc.). PERMACON is not responsible for any issue regarding other materials, accessories, other types of hardware, etc. We recommend consulting an expert/engineer to determine the design limitations of the screen panels based on wind loads.

- X** = Stainless steel wood screw flat head #10 x 2 1/2 in.
- Y** = Treated concrete anchor (Tapcon®) 1/4 x 1 3/4 in. or 3/16 x 1 3/4 in.
- V** = Stainless steel lag screws 1/4 x 2 1/2 in. or 5/16 x 2 1/2 in.
- Z** = Stainless steel oversized washer 5/16 in.

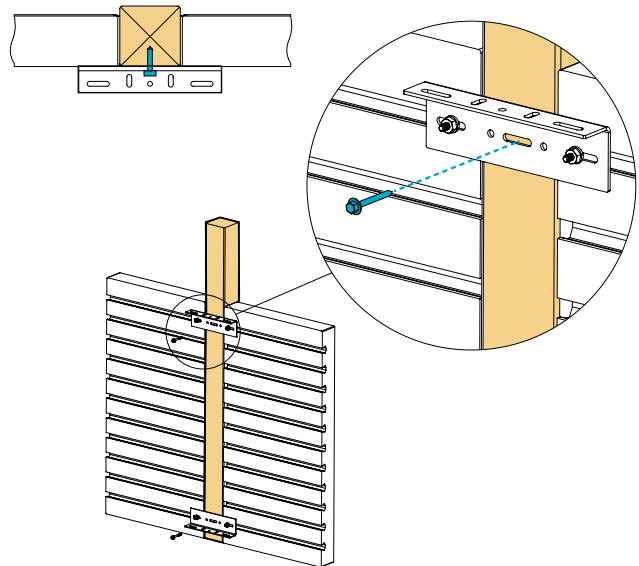
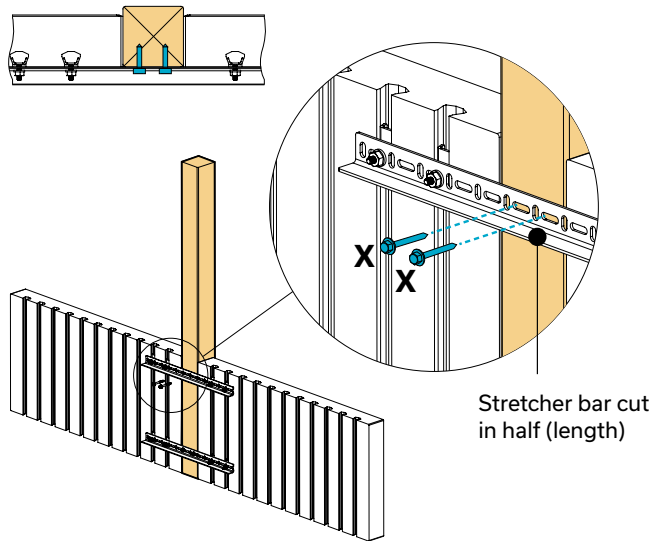
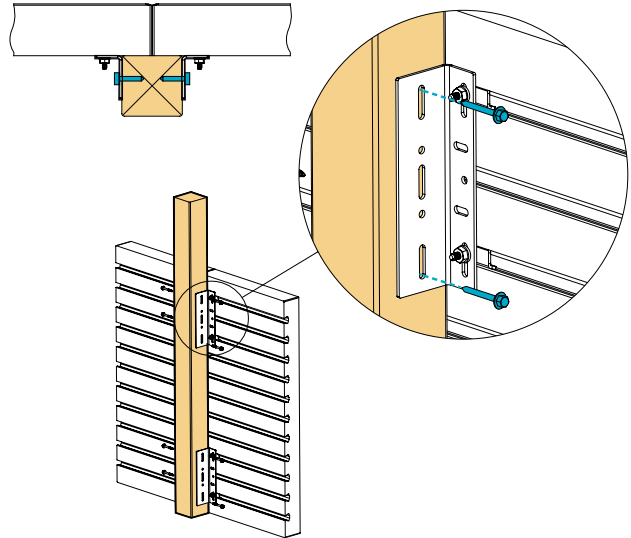
For more details, see **TIPS and TRICKS** at the end of this section.

INTEGRATING 4 X 4 IN. WOOD POSTS - CONT'D

HORIZONTAL PANELS



VERTICAL PANELS



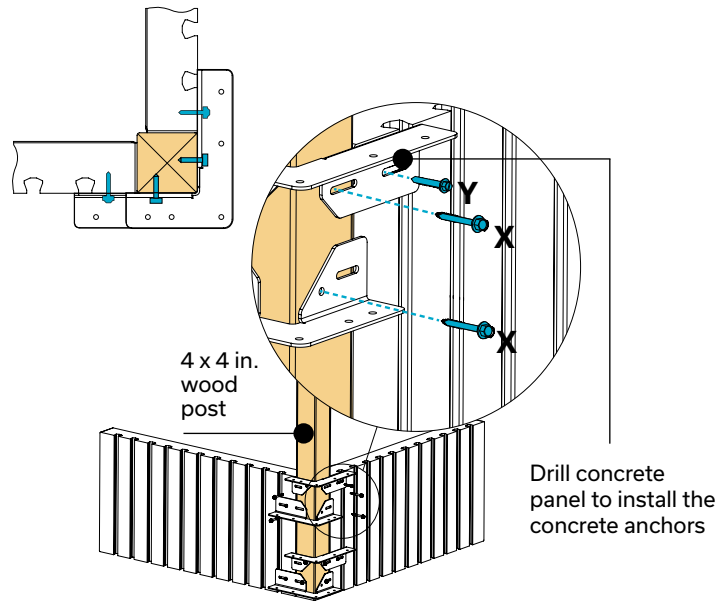
IMPORTANT: Other types of hardware (not included) may be required to make these assemblies (wood screws, concrete anchors, etc.). PERMACON is not responsible for any issue regarding other materials, accessories, other types of hardware, etc. We recommend consulting an expert/engineer to determine the design limitations of the screen panels based on wind loads.

- X** = Stainless steel wood screw flat head #10 x 2 1/2 in.
- Y** = Treated concrete anchor (Tapcon®) 1/4 x 1 3/4 in. or 3/16 x 1 3/4 in.
- V** = Stainless steel lag screws 1/4 x 2 1/2 in. or 5/16 x 2 1/2 in.
- Z** = Stainless steel oversized washer 5/16 in.

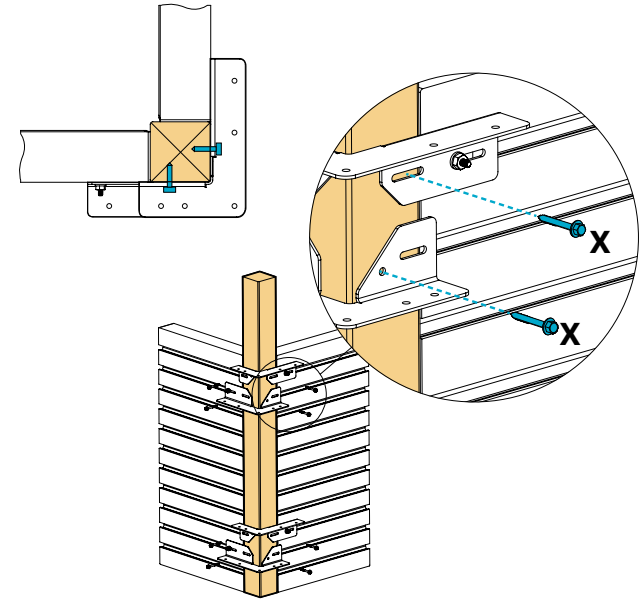
For more details, see **TIPS and TRICKS** at the end of this section.

INTEGRATING 4 X 4 IN. WOOD POSTS - CONT'D

HORIZONTAL PANELS



VERTICAL PANELS



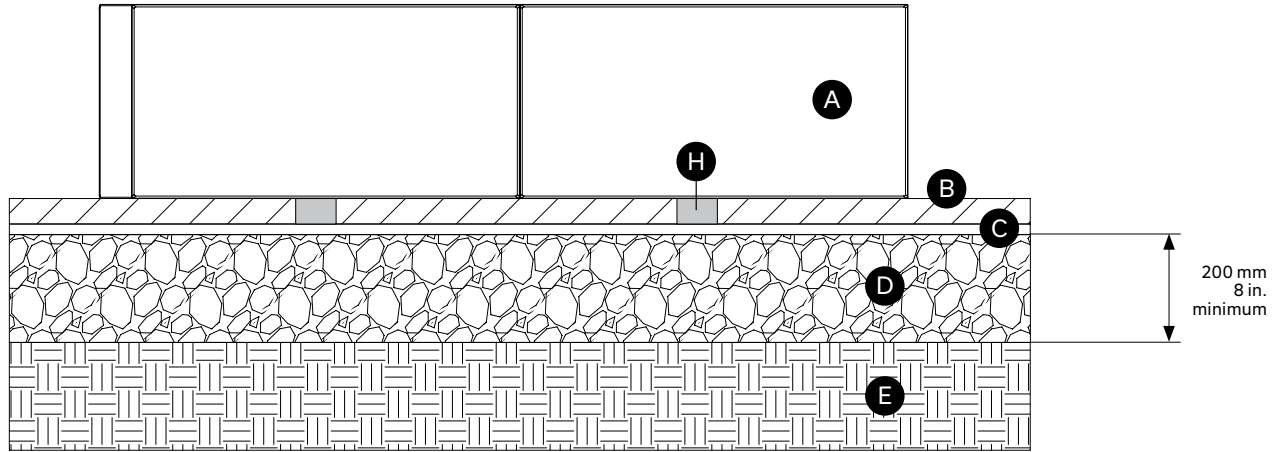
IMPORTANT: Other types of hardware (not included) may be required to make these assemblies (wood screws, concrete anchors, etc.). PERMACON is not responsible for any issue regarding other materials, accessories, other types of hardware, etc. *We recommend consulting an expert/engineer to determine the design limitations of the screen panels based on wind loads.*

- X** = Stainless steel wood screw flat head #10 x 2 1/2 in.
- Y** = Treated concrete anchor (Tapcon®) 1/4 x 1 3/4 in. or 3/16 x 1 3/4 in.
- V** = Stainless steel lag screws 1/4 x 2 1/2 in. or 5/16 x 2 1/2 in.
- Z** = Stainless steel oversized washer 5/16 in.

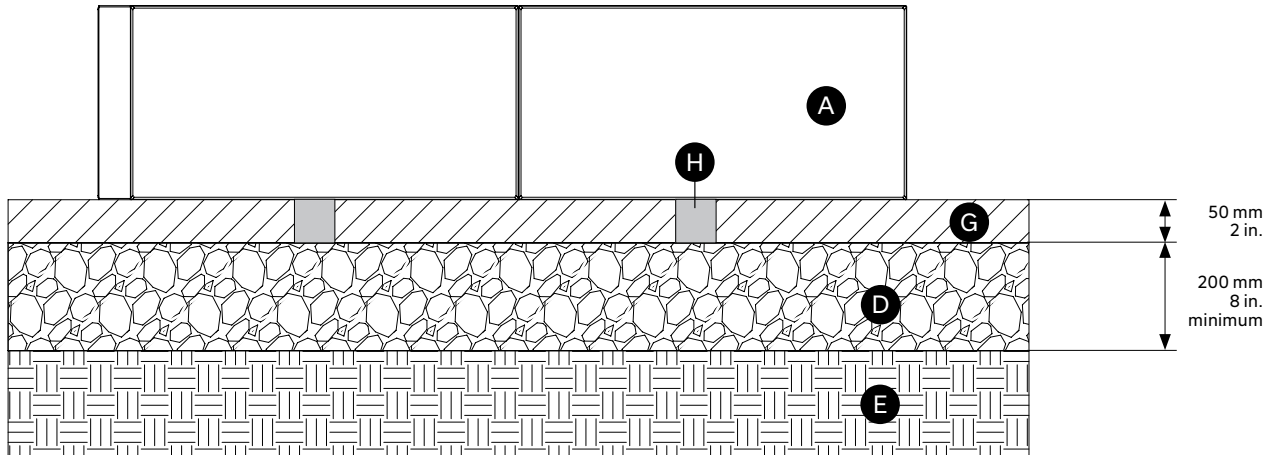
For more details, see **TIPS and TRICKS** at the end of this section.

BASE PREPARATION

ON EXISTING PATIO



ON POURED CONCRETE FOUNDATION

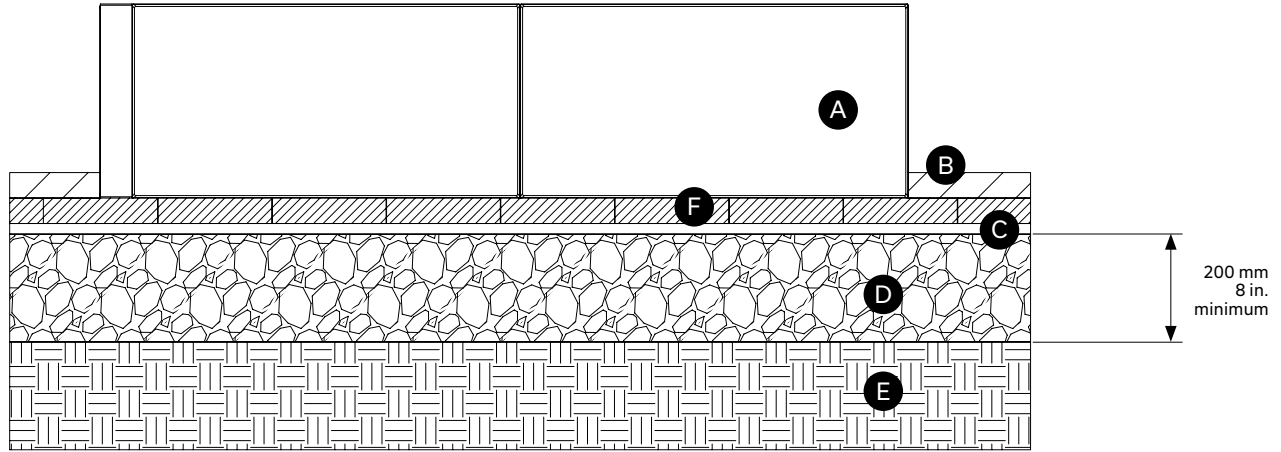


- Ⓐ Artex panel
- Ⓑ Slab or paver
- Ⓒ bedding sand 1 in. - 25 mm
- Ⓓ Compacted aggregates 8 in. - 200 mm minimum
- Ⓔ Soil
- Ⓕ Starter unit / slab or paver
- Ⓖ Reinforced poured concrete foundation 2 in. - 50 mm min.
- Ⓗ Opening for drainage

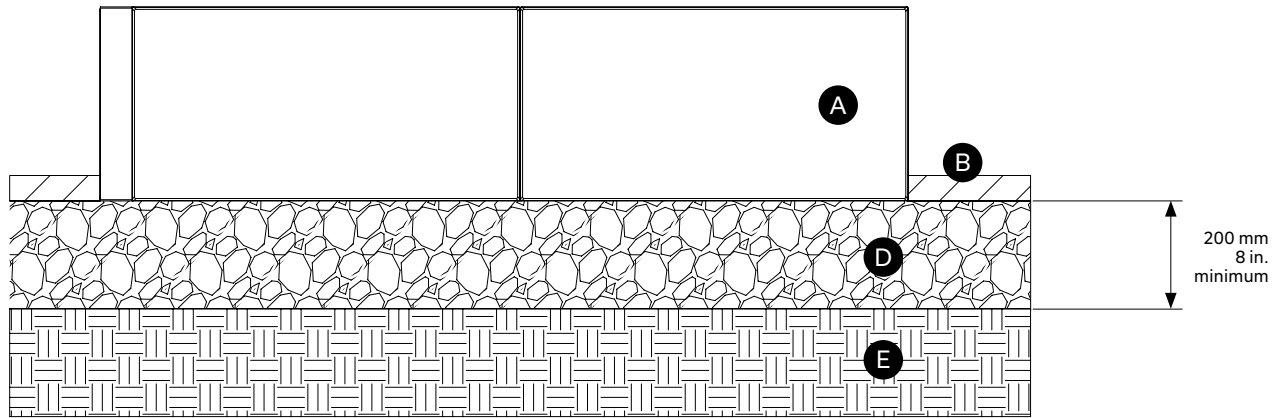
IMPORTANT: Provide adequate drainage and adjust according to soil type. Maximum height of 36 in. for planter box and 42 in. for outdoor living structure. Any higher structure must be designed by an engineer. Dimensions and information above are general recommendations only. Contact experts/engineers to validate the base preparation, the drainage, the plants & roots growth/management. The use of plastic shims can facilitate the installation of Artex panels in order to adapt to the slope of the site.

BASE PREPARATION - CONT'D

ON COMPACTED FOUNDATION USING STARTER UNIT



ON COMPACTED FOUNDATION

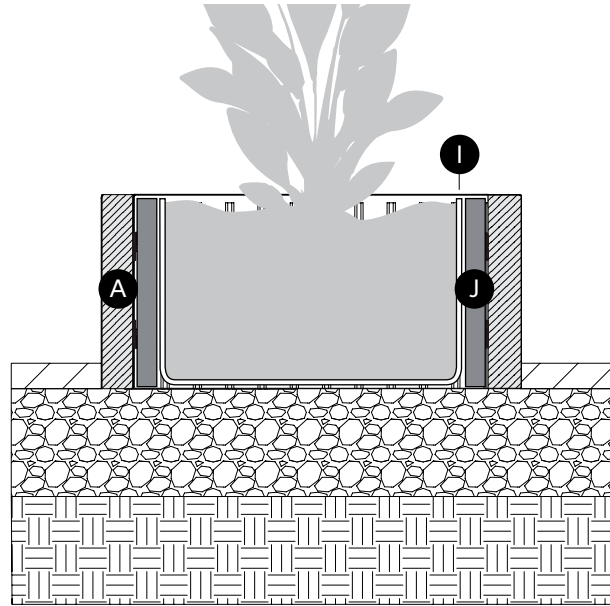
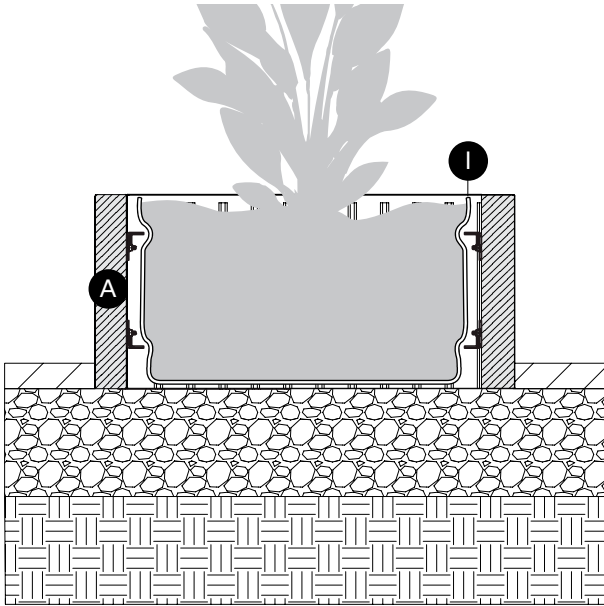


- Ⓐ Artex panel
- Ⓑ Slab or paver
- Ⓒ bedding sand 1 in. - 25 mm
- Ⓓ Compacted aggregates 8 in. - 200 mm minimum
- Ⓔ Soil
- Ⓕ Starter unit / slab or paver
- Ⓖ Reinforced poured concrete foundation 2 in. - 50 mm min.
- Ⓗ Opening for drainage

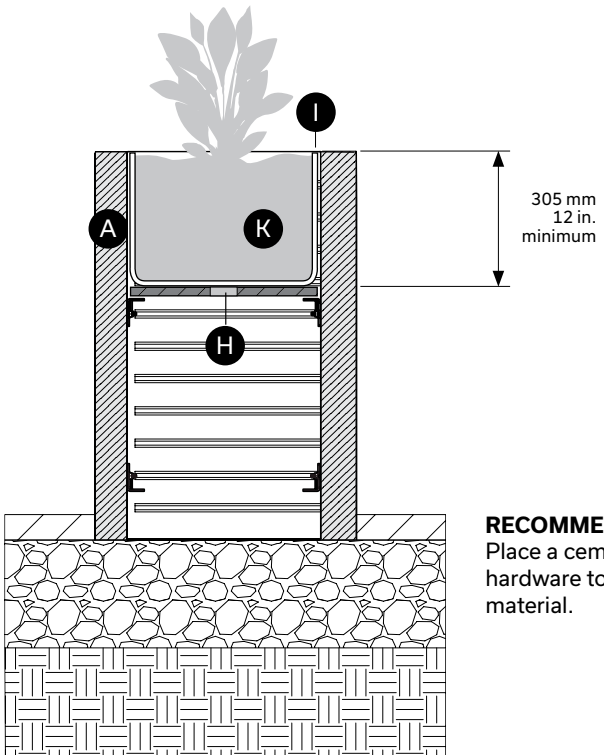
IMPORTANT: Provide adequate drainage and adjust according to soil type. Maximum height of 36 in. for planter box and 42 in. for outdoor living structure. Any higher structure must be designed by an engineer. Dimensions and information above are general recommendations only. Contact experts/engineers to validate the base preparation, the drainage, the plants & roots growth/management. The use of plastic shims can facilitate the installation of Artex panels in order to adapt to the slope of the site.

PLANTER BOX DETAIL

ON COMPACTED FOUNDATION



RECOMMENDED:
Place insulated panels to protect plants from cold conditions.

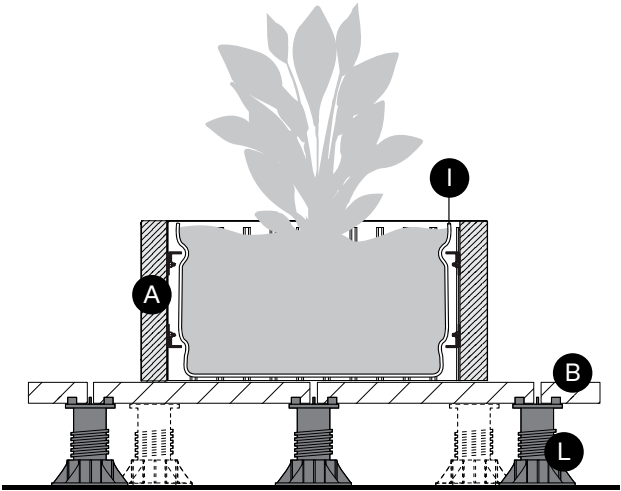


RECOMMENDED:
Place a cement board on top of the Artex hardware to reduce the amount of infill material.

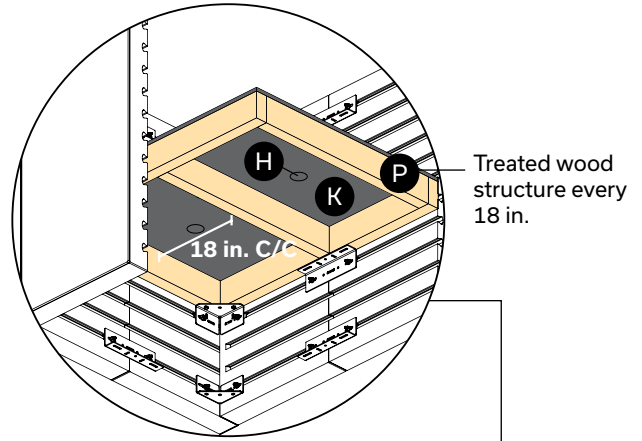
IMPORTANT: Provide adequate drainage and adjust according to soil type. Maximum height of 36 in. for planter box and 42 in. for outdoor living structure. Any higher structure must be designed by an engineer. Dimensions and information above are general recommendations only. Contact experts/engineers to validate the base preparation, the drainage, the plants & roots growth/management. The use of plastic shims can facilitate the installation of Artex panels in order to adapt to the slope of the site.

- A Artex panel
- H Opening for drainage
- I Geotextile membrane
- J Insulated panel
- K Structural water resistant panel

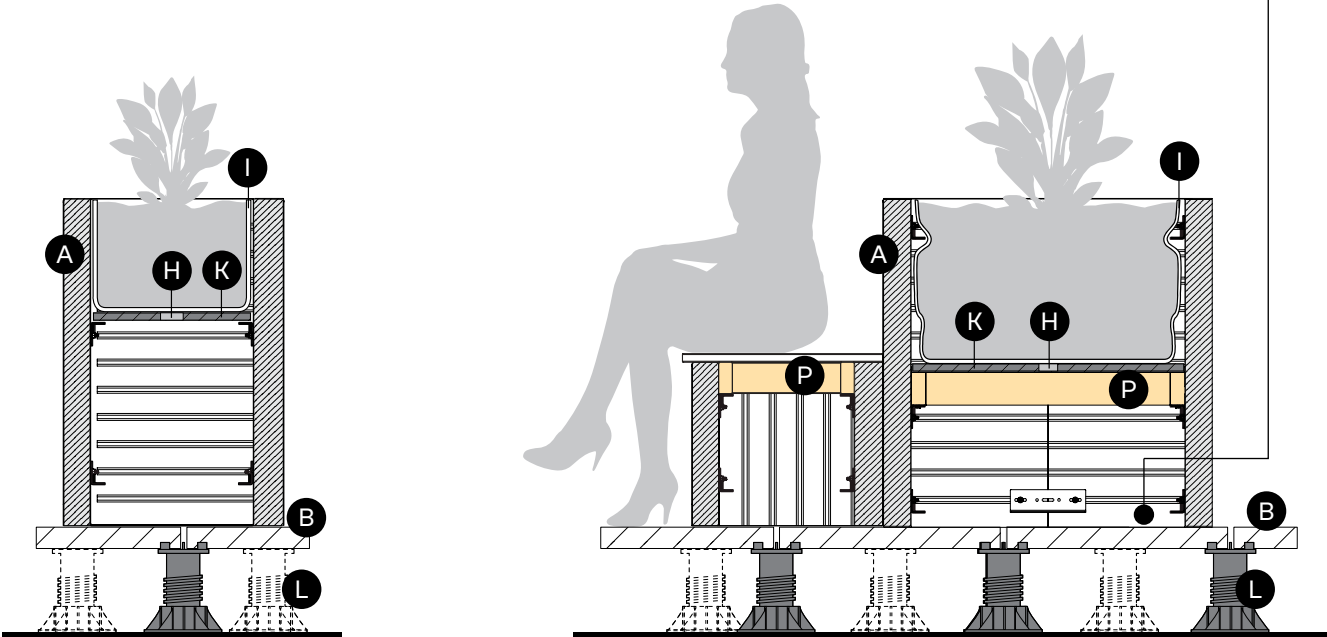
ROOFTOP APPLICATIONS



Planter box with horizontal panels sitting on slabs/tiles - section view



Treated wood structure every 18 in.



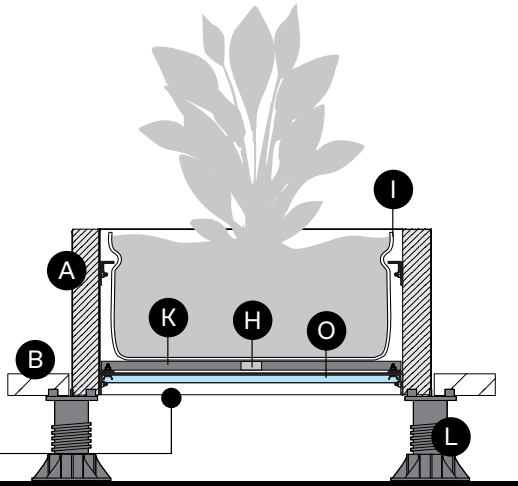
Planter box with vertical panels sitting on slabs/tiles - section view

Planter box and bench sitting on slabs/tiles - section view

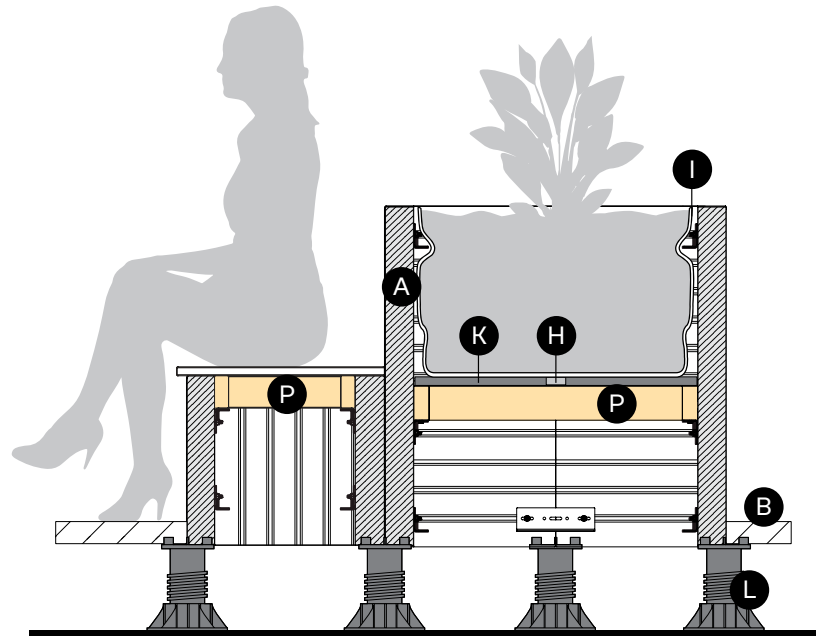
- Ⓐ Artex panel
- Ⓑ Slab or paver
- Ⓗ Opening for drainage
- Ⓘ Geotextile membrane
- Ⓚ Structural water resistant panel
- Ⓛ Pedestal
- Ⓟ Treated wood structure

IMPORTANT: Contact experts/engineers for proper staging on existing rooftop surfaces.

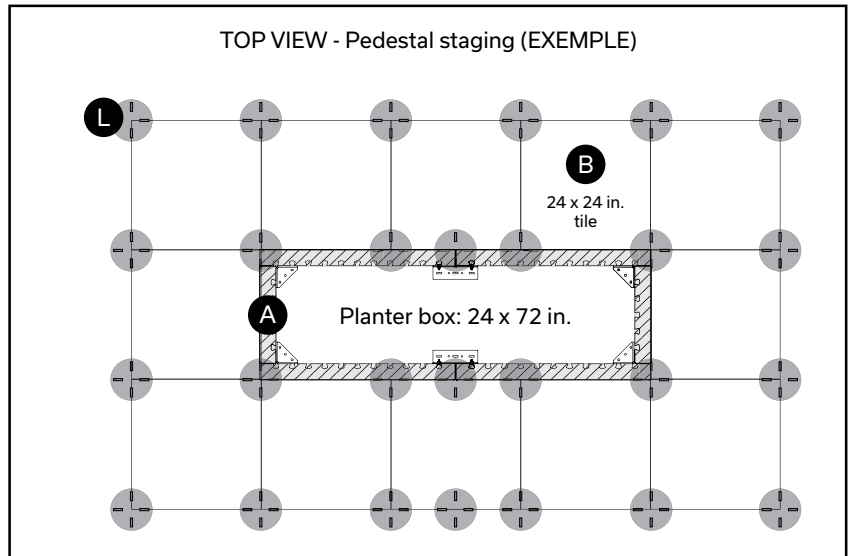
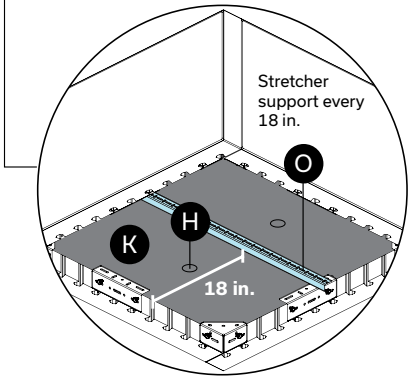
ROOFTOP APPLICATIONS - CONT'D



Planter box sitting on pedestals - section view



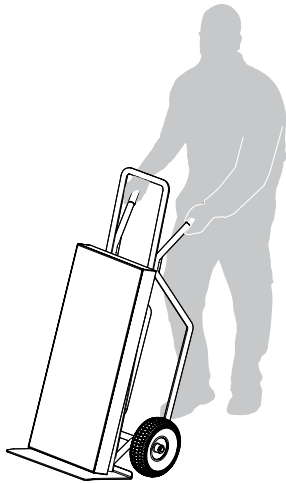
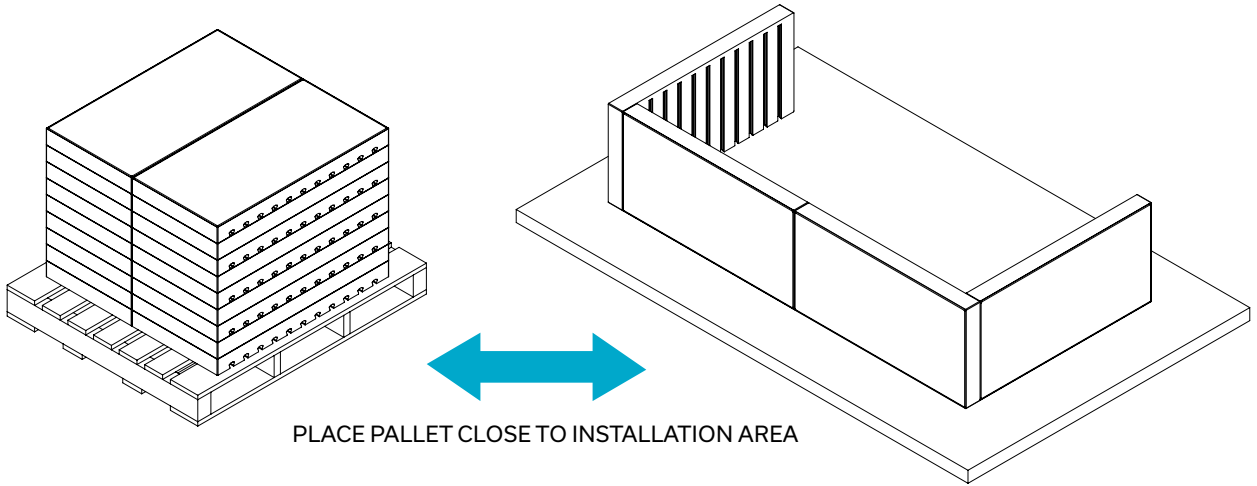
Bench and planter box sitting on pedestals - section view



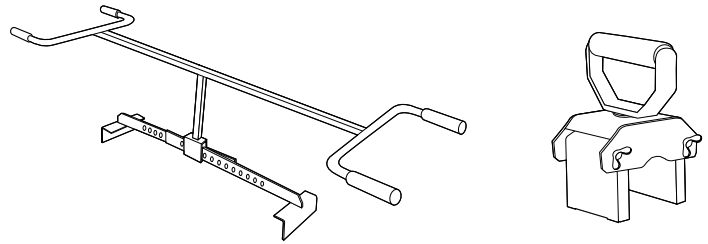
- Ⓐ Artex panel
- Ⓑ Slab or paver
- Ⓗ Opening for drainage
- Ⓘ Geotextile membrane
- Ⓚ Structural water resistant panel
- Ⓛ Pedestal
- Ⓞ Stretcher bar
- Ⓟ Treated wood structure

IMPORTANT: Contact experts/engineers for proper staging on existing rooftop surfaces.

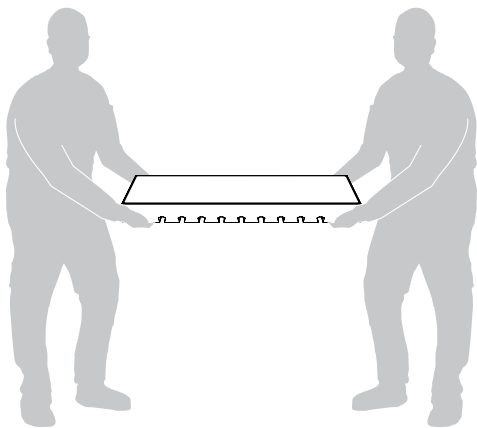
HANDLING



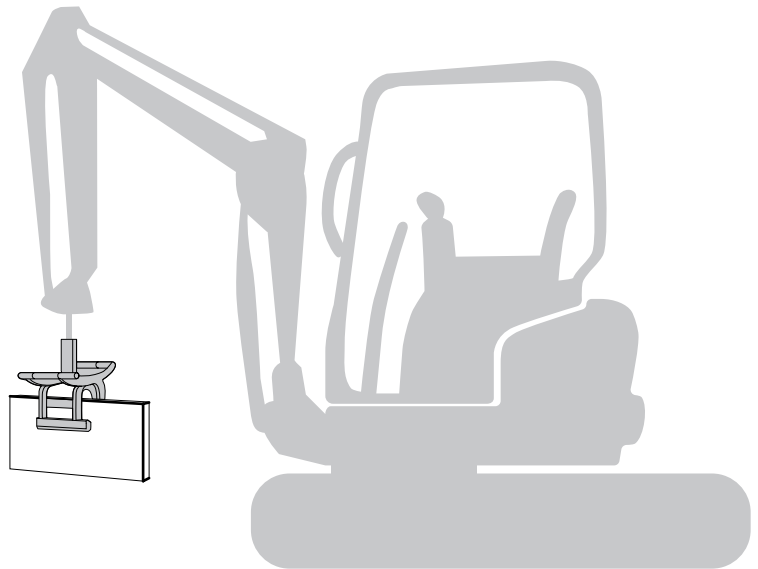
Use hand trolley if necessary



Recommended handling tools



Lift with two people

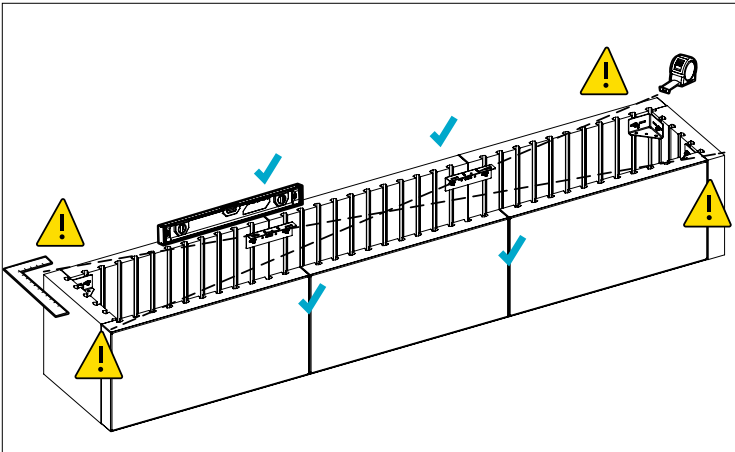


Use a mechanical lifting device

TIPS AND TRICKS

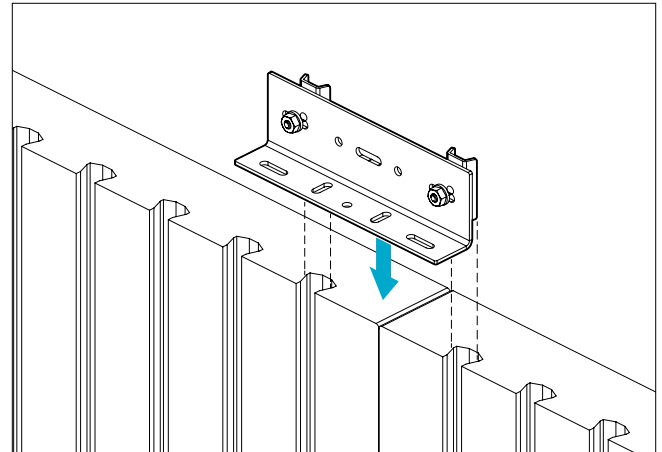
1 GENERAL

Ensure that all the panels are in place, levelled & aligned before fully tightening the hardware in the corners at the end of the installation.



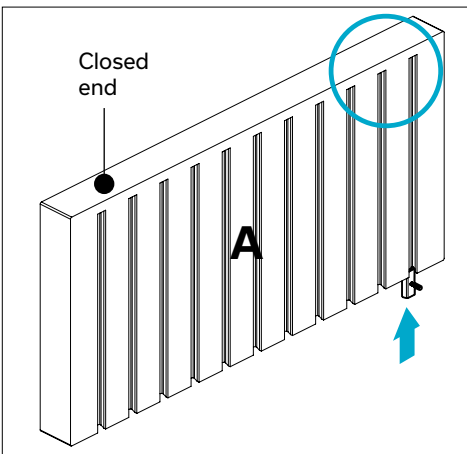
2 GENERAL

Pre-assemble hardware to facilitate its installation. Ensure that all the panels are in place, levelled & aligned before fully tightening the hardware at the end of the installation.



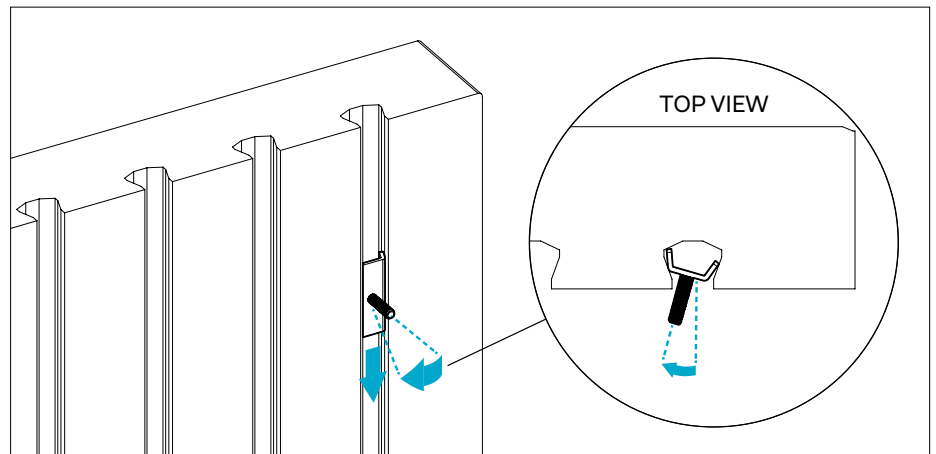
3 ANCHOR SLIDE

Insert anchor slides from the bottom of the closed end panel (panel A) prior to its assembly.



4 ANCHOR SLIDE

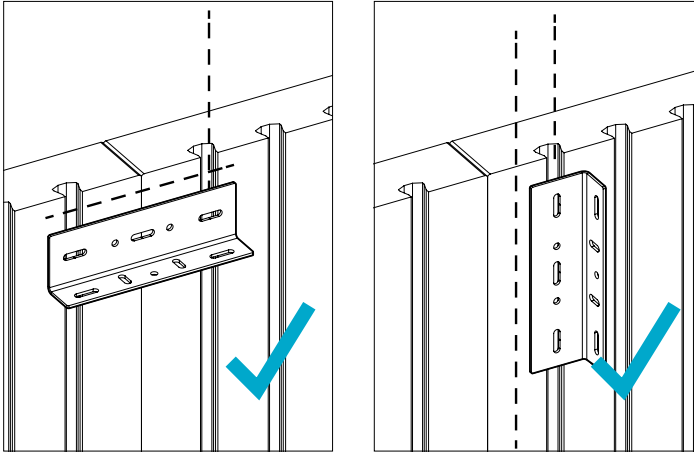
Insert the anchor slide. Lock it into place to prevent it from sliding down and to facilitate assembly.



TIPS AND TRICKS - SUITE

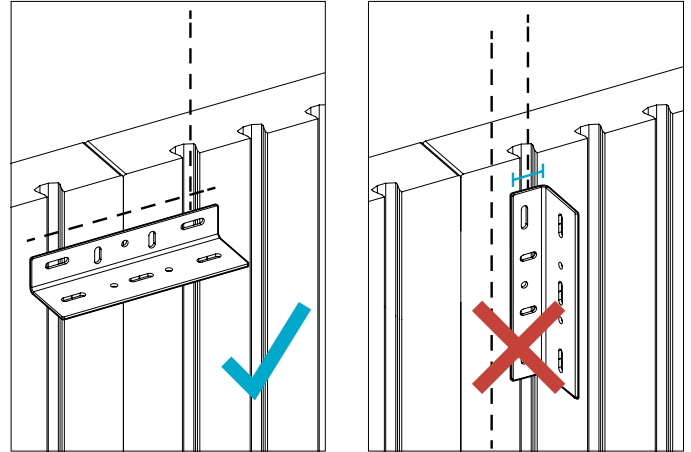
5 JOINING PLATE

Use the larger tab of the joining plate when it is perpendicular or parallel to the dovetail slot.



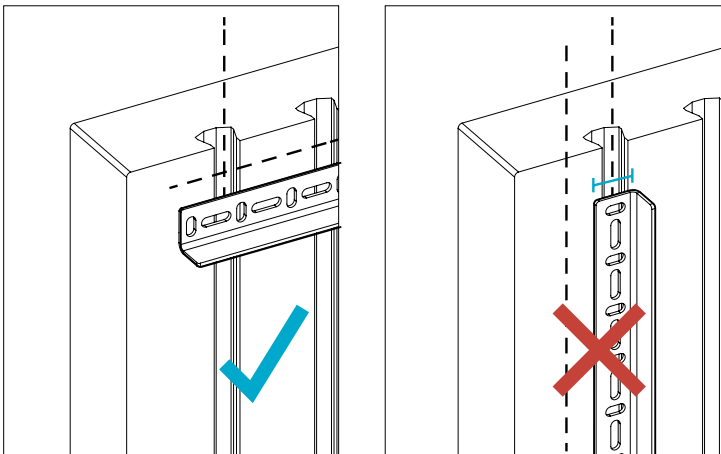
6 JOINING PLATE

Only when the joining plate is perpendicular to the dovetail, the small tab can be used. Otherwise, the overlapping surface will be too narrow.



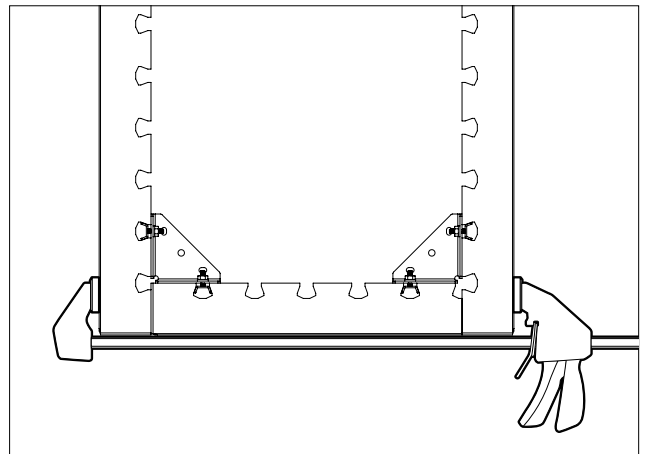
7 STRETCHER BAR

Use the stretcher bar when it is perpendicular to the dovetail. Otherwise, the overlapping surface will be too narrow.



8 CLAMP

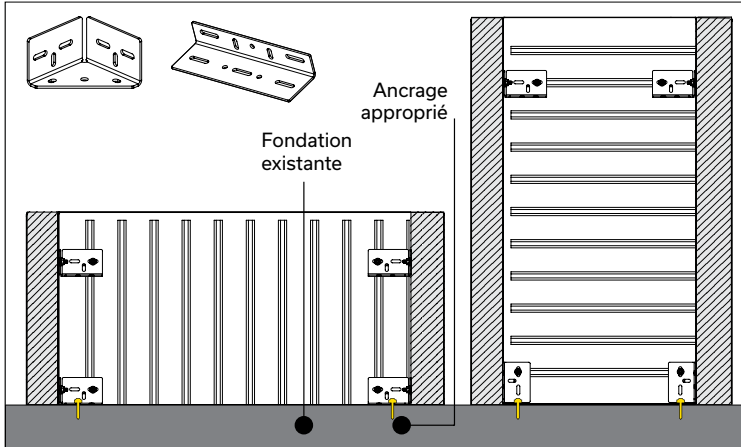
Use the bar clamp to keep the panels in place and to facilitate the hardware installation.



TIPS AND TRICKS - SUITE

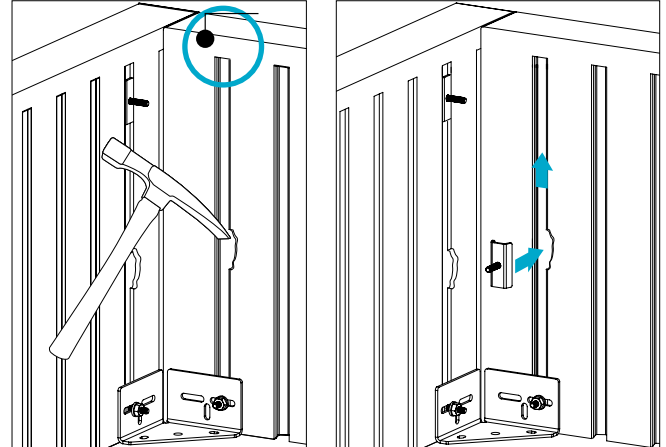
9 GENERAL

If required it is possible to secure the ARTEX structure to the existing base by placing the hardware against it. Contact ex-perts/engineers to validate the structure and any related matters.



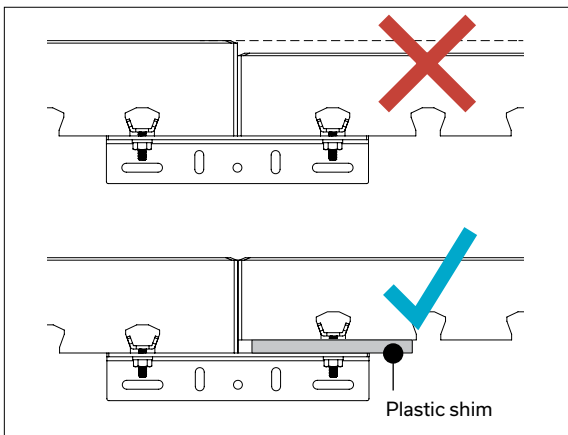
10 GENERAL

In the case you forgot to place the anchor slides when the closed end panels (panel A) have already been assembled, use a chipping hammer to break a small section of the dovetail slot to insert the anchor slide.



11 GENERAL

If the side to side panels have a different thickness, use plastic shims to align the front face.



12 GENERAL

If assembling the hardware on the side of the panel without dovetails, drill the panel and use a concrete screw anchor (Tapcon®).

NOTE: Y - Concrete screw anchor (Tapcon®) 1/4 x 1 3/4 in. or 3/16 x 1 3/4 in.

