



Dominion Stone



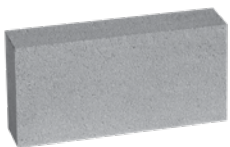
Enhances any project with its distinctive appearance and timeless appeal.

	A	B	C
Weight per cube (kg)	1374	1386	1388
Rows per cube	8	8	7
Sq.ft. per row	10.33	10.33	11.63
Sq.ft. per cube	82.67	82.67	81.38
Corner pieces	100%	100%	100%
Lin. ft. per row	15.75	15.75	11.81
Lin. ft. per cube	126	126	82.68
Qty per cube	96 units	64 units	42 units

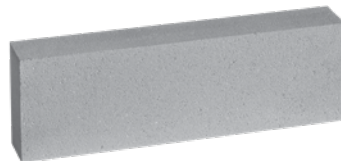
A	90 x 190 x 390 mm	3 1/2 x 7 1/2 x 15 3/8 in.
B	90 x 190 x 590 mm	3 1/2 x 7 1/2 x 23 1/4 in.
C	90 x 290 x 590 mm	3 1/2 x 11 7/16 x 23 1/4 in.

Code	Colour		
A	B	C	
43505046	43503341	43503042	Limestone
-	43500024	43500048	Graphite
-	43500049	43500023	Milano

Units A, B and C are sold separately



A

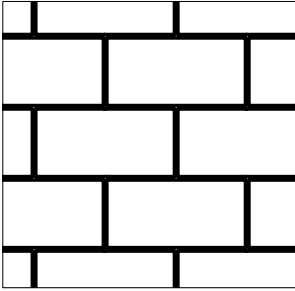


B

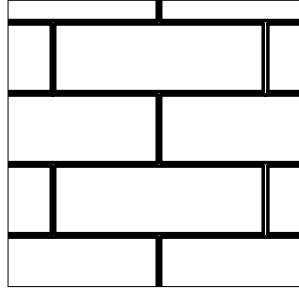


C

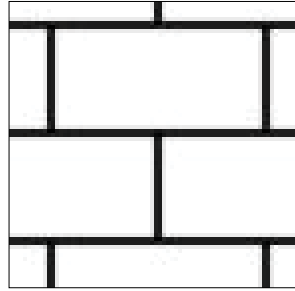
Laying Patterns:



Linear - 8 in. x 16 in.



Linear - 8 in. x 24 in.



Linear - 12 in. x 24 in.

IMPORTANT NOTICE AVIS IMPORTANT

PIERRE **DOMINION** STONE

CAUTION

Top face = Install face

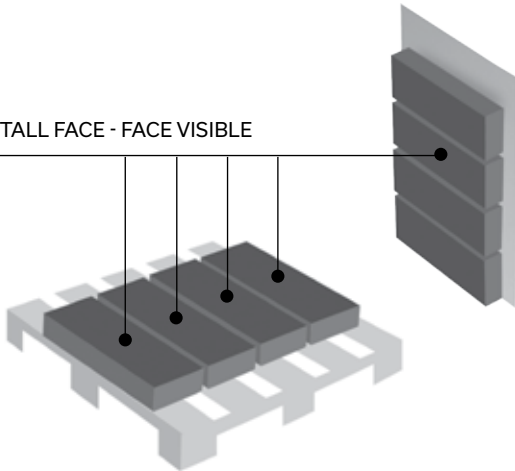
Packaged lying down, finished face upwards
This unit is not reversible

ATTENTION

Face supérieure = Face visible

Palettisée couchée, face visible vers le haut
Cette pierre est non réversible

INSTALL FACE - FACE VISIBLE



Technical information

Product	Standard	Compressive Strength	Density	Absorption	Dimension Tolerance	Fire Resistance (CNB)
Dominion Stone	CSA A165.1	15 MPa	A : Over 2000 kg/m ³	A : 175 kg/m ³	Thickness: ±2.0 mm Height: ±2.0 mm Length: ±3.0 mm	1.39 hours