



# Dominion Stone



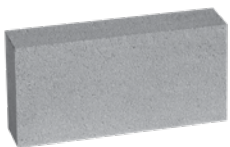
Enhances any project with its distinctive appearance and timeless appeal.

	<b>A</b>	<b>B</b>	<b>C</b>
Weight per cube (kg)	1374	1386	1388
Rows per cube	8	8	7
Sq.ft. per row	10.33	10.33	11.63
Sq.ft. per cube	82.67	82.67	81.38
Corner pieces	100%	100%	100%
Lin. ft. per row	15.75	15.75	11.81
Lin. ft. per cube	126	126	82.68
Qty per cube	96 units	64 units	42 units

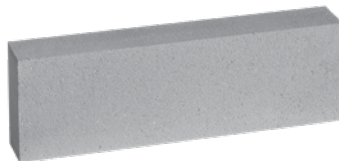
<b>A</b>	90 x 190 x 390 mm	3 1/2 x 7 1/2 x 15 3/8 in.
<b>B</b>	90 x 190 x 590 mm	3 1/2 x 7 1/2 x 23 1/4 in.
<b>C</b>	90 x 290 x 590 mm	3 1/2 x 11 7/16 x 23 1/4 in.

<b>Code</b>	<b>Colour</b>		
<b>A</b>	<b>B</b>	<b>C</b>	
43505046	43503341	43503042	Limestone
-	43500024	43500048	Graphite
-	43500049	43500023	Milano

Units A, B and C are sold separately



**A**



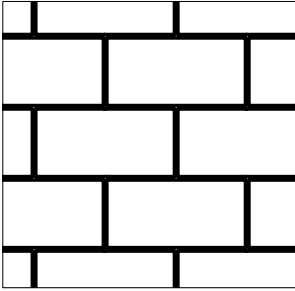
**B**



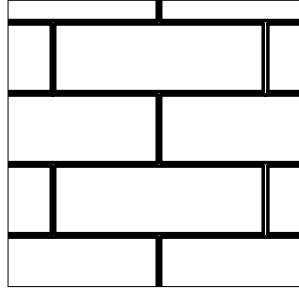
**C**

# Dominion Stone

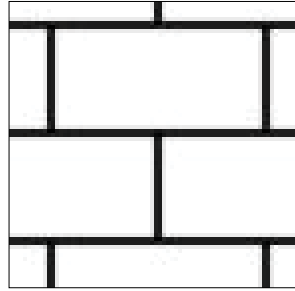
## Laying Patterns:



Linear - 8 in. x 16 in.



Linear - 8 in. x 24 in.



Linear - 12 in. x 24 in.

## IMPORTANT NOTICE AVIS IMPORTANT

### PIERRE **DOMINION** STONE

#### CAUTION

##### Top face = Install face

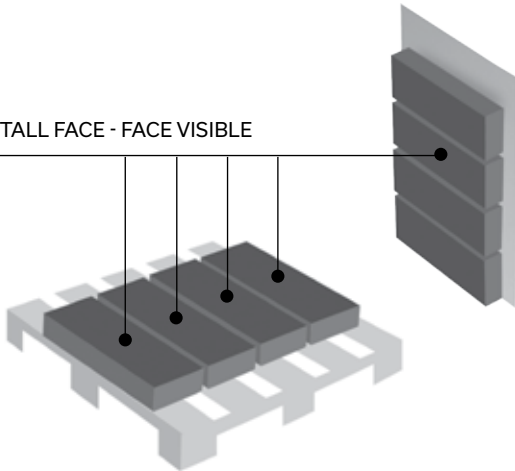
Packaged lying down, finished face upwards  
This unit is not reversible

#### ATTENTION

##### Face supérieure = Face visible

Palettisée couchée, face visible vers le haut  
Cette pierre est non réversible

INSTALL FACE - FACE VISIBLE



## Technical information

Product	Standard	Compressive Strength	Density	Absorption	Dimension Tolerance	Fire Resistance (CNB)
<b>Dominion Stone</b>	CSA A165.1	15 MPa	A : Over 2000 kg/m <sup>3</sup>	A : 175 kg/m <sup>3</sup>	Thickness: ±2.0 mm Height: ±2.0 mm Length: ±3.0 mm	1.39 hours